

ASSEMBLY INSTRUCTIONS

COHERE FIXED HEIGHT & PIN HEIGHT TABLE

NOTE:

PLEASE COUNT AND INSPECT ALL PIECES BEFORE DISPOSING OF ANY CARTON OR PACKING MATERIALS.

When ordering components, specific color and/or size information may be required. Contact a Mayline Customer Service Representative. 1-800-822-8037

COMPONENTS

REF#	QTY.	DESCRIPTION	PART NO.
1	1	Top	CALL ~**
2A	2	Fixed Height Leg Assembly w/Glides	CALL ~**
2B	2	Pin Height Leg Assembly w/Glides	CALL ~**
2C	2	Fixed Height Leg Assembly w/Casters	CALL ~**
2D	2	Pin Height Leg Assembly w/Casters	CALL ~**

** Denotes Color Code
 ~~ Denotes Size

HARDWARE BAG (Part No. DS242)

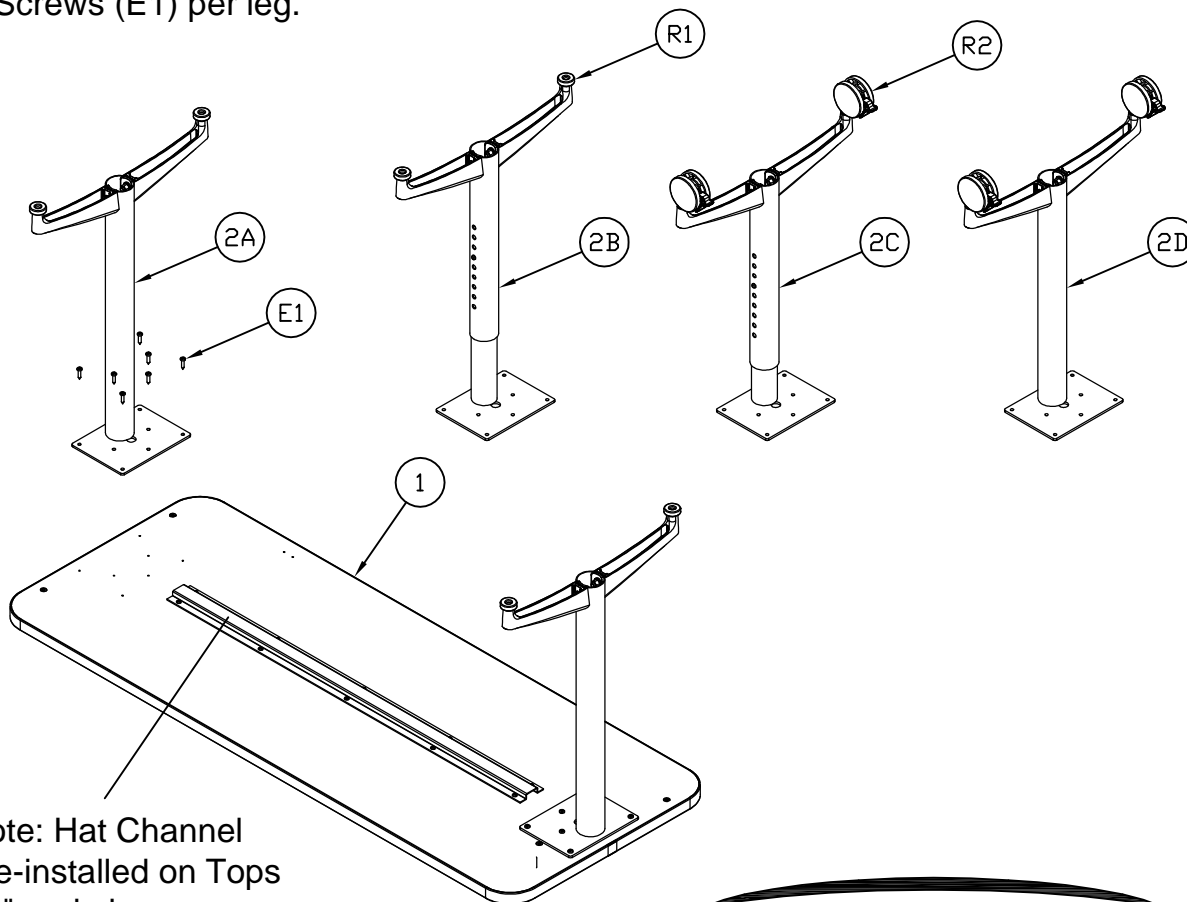
REF#	QTY.	DESCRIPTION
E1	16	Screw, #12 x 1" PHS

Replacement Part not included in assembly

REF#	QTY.	DESCRIPTION	PART NO.
R1	1	Glide	DS131
R2	1	Caster	DS108

*Recommended tools for Assembly:
 #3 Phillips bit for larger screws.*

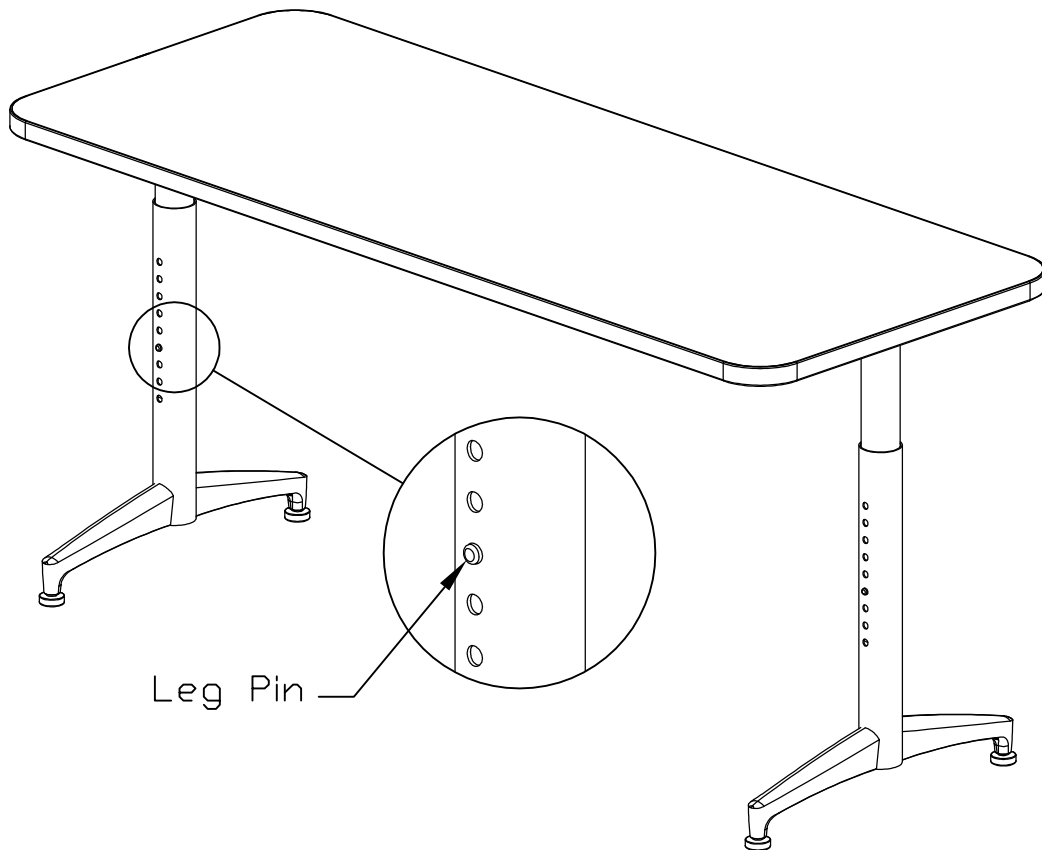
1. Place Top (1) face down on a clean flat surface. Attach Leg Assembly (2A-D) onto Top using 7 Screws (E1) per leg.



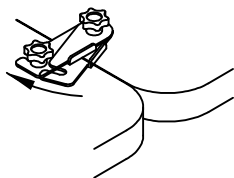
Note: Hat Channel pre-installed on Tops 60" and above.

OPERATING INSTRUCTIONS FOR PIN HEIGHT

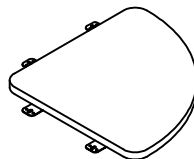
1. Raise Top - Push Leg Pin into leg on each side and raise table to desired height. Make sure the pins lock into holes at the desired height.
2. Lower Top - Push Leg Pin into leg on each side and lower table to desired height. Make sure the pins lock into holes at the desired height.



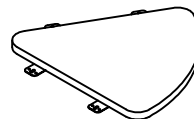
Extra inserts on the underside of the top are for optional Ganging Kit 10GA & Pie Connectors. Extra pilot holes along edge of top are for optional Modesty Panel



10GA Ganging Kit



90°
Pie Connector



60°
Pie Connector



30°
Pie Connector