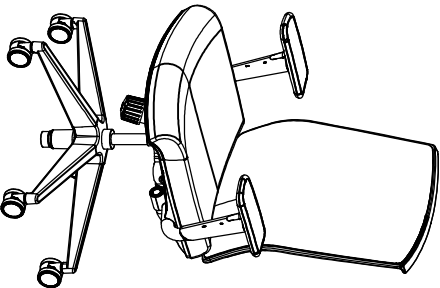


ASSEMBLY INSTRUCTIONS
GIST MULTI-PURPOSE CHAIR
MODEL NO. GS11



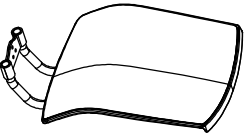
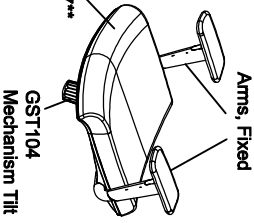

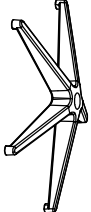

IMPORTANT!
Review ALL instructions before beginning assembly. These instructions are provided to avoid problems that may occur from improper assembly or installation. Mayline and/or its distributor are not responsible for failure resulting from improper assembly or installation of this product. Moreover, all warranties are void for failure to follow these assembly instructions.

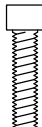





PARTS LIST GS11

When ordering components, specific color and/or size information may be required.
 Contact a Mayline Customer Service Representative. 1-800-822-8037

* Individual Items, Order by part number.
 ** Denotes Color Code

A* Reference Letter		Quantity
Part Number GST119** Back Assembly		1
B* Reference Letter		Quantity
Part Number GST120 & GST121 Arms, Fixed		1
C* Reference Letter		Quantity
Part Number GST100 Cylinder		1
D* Reference Letter		Quantity
Part Number GST101** Base, Nylon		1
E* Reference Letter		Quantity
Part Number GST103 Caster (5 pack)		1

GST136* Hardware Pack Part Number	Quantity	
F Reference Letter		Quantity
Screw 3/8"-16 x 1-1/2" Reference Letter		3
G Reference Letter		Quantity
Lock Washer 3/8" Reference Letter		3
H Reference Letter		Quantity
Washer Flat 3/8" Reference Letter		3
J Reference Letter		Quantity
Allen Wrench		1

1. Place Base (D) upside down and push Casters (E) firmly into base. 5 places.
2. Turn Base right side up and insert Cylinder (C) into center hole of Base.
3. Attach Back Assembly (A) to Seat Assembly (B) using Screw (F), Lock Washer (G) & Washer (H) 3 Places. See "Tightening Sequence Tip" in Figure 1.
4. Carefully place Seat/Back assembly onto Base assembly.

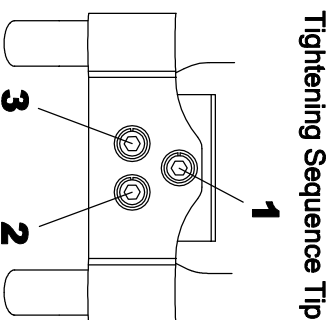
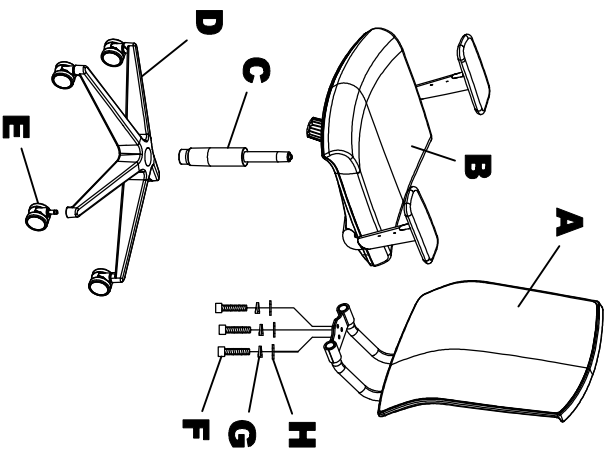


Figure 1.

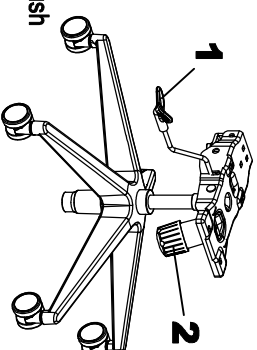
NOTE:

Periodically (Every 90 days) make sure screws are fully tightened.

(3)

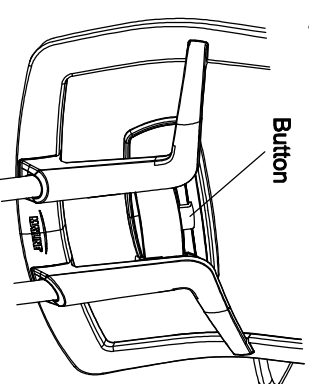
OPERATING INSTRUCTIONS FOR MULTI-PURPOSE MECHANISM

1. **Seat Height Adjustment.**
To raise the seat, pull lever upward and raise your body up slightly to allow the chair to rise to the desired height.
To lower the seat, pull lever upward and apply weight downward on the seat.
- Seat Upright Lock**
To lock chair in upright position, lean forward and push knob forward chair.
To unlock chair in upright position, lean forward and pull knob away from chair.
2. **Tilt Tension Control Knob.**
Turn knob clockwise to increase tilt tension.
Turn knob counter-clockwise to decrease tilt tension.



OPERATING INSTRUCTIONS FOR LUMBAR SUPPORT.

1. **Lumbar Adjustment.**
Press button down and ratchet the lumbar upward or downward to the desired height.



(4)