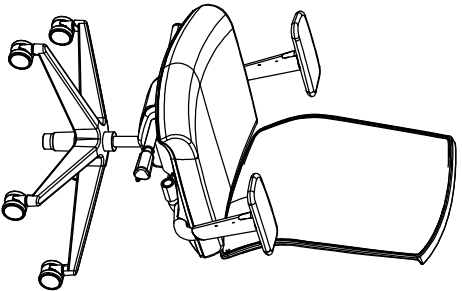


**ASSEMBLY INSTRUCTIONS**  
**GIST TASK & TASK+ CHAIR**  
**MODEL NO. GS22 & GS33**



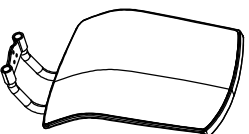
**PARTS LIST GS22 & GS33**

When ordering components, specific color and/or size information may be required.  
 Contact a Mayline Customer Service Representative. 1-800-822-8037

\* Individual Items. Order by part number.  
 \*\* Denotes Color Code

Reference Letter	Quantity
<b>E*</b> Part Number GST103 Caster (5 pack)	<b>1</b>

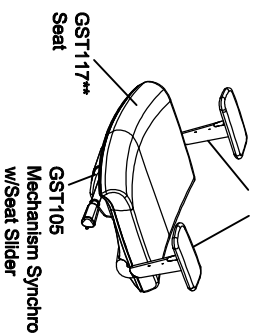
<b>A*</b> Part Number GST119** Back Assembly	<b>1</b>
----------------------------------------------------	----------



<b>B*</b> Reference Letter GS22 - GST1122 & GST1123 Arms, 2-Way	<b>3</b>
--------------------------------------------------------------------------	----------

GS33 - GST1124 & GST1125  
Arms, Slider + 2-Way

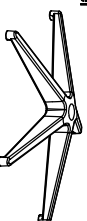
**1**



<b>C*</b> Reference Letter Part Number GST100 Cylinder	<b>1</b>
-----------------------------------------------------------------	----------



<b>D*</b> Reference Letter Part Number GS22 - GST101 Base, Nylon GS33 - GST102 Base, Aluminum	<b>1</b>
-----------------------------------------------------------------------------------------------------------	----------



<b>F</b> Reference Letter Screw 3/8" - 16 x 1-1/2"	<b>3</b>
<b>G</b> Reference Letter Lock Washer 3/8"	<b>3</b>
<b>H</b> Reference Letter Washer Flat 3/8"	<b>3</b>
<b>J</b> Reference Letter Allen Wrench	<b>1</b>

**IMPORTANT!**

**Review ALL instructions before beginning assembly.** These instructions are provided to avoid problems that may occur from improper assembly or installation. Mayline and/or its distributor are not responsible for failure resulting from improper assembly or installation of this product. Moreover, all warranties are void for failure to follow these assembly instructions.

**MAYLINE**

Mayline Company, LLC  
 619 N. Commerce, P.O. Box 728  
 Shakopee, MN 55082-0728  
 Toll Free: 1-800-822-8037  
 FAX: 920-457-7388  
 On Line: www.mayline.com

1. Place Base (D) upside down and push Casters (E) firmly into base. 5 places.
2. Turn Base right side up and insert Cylinder (C) into center hole of Base.
3. Attach Back Assembly (A) to Seat Assembly (B) using Screw (F), Lock Washer (G) & Washer (H) 3 Places. See Tightening Sequence Tip in Figure 1.
4. Carefully place Seat/Back assembly onto Base assembly.

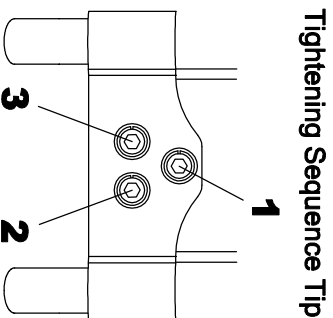
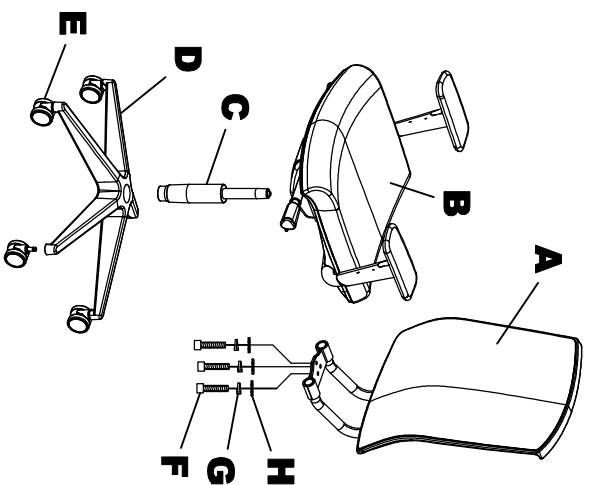


Figure 1.

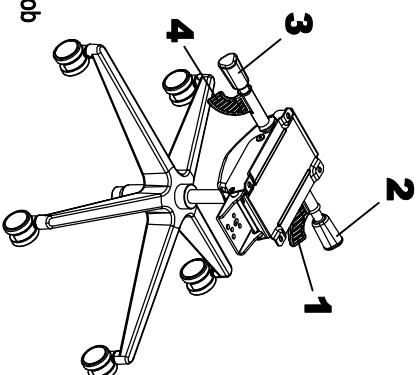
**NOTE:**

Periodically (Every 90 days) make sure screws are fully tightened.

(3)

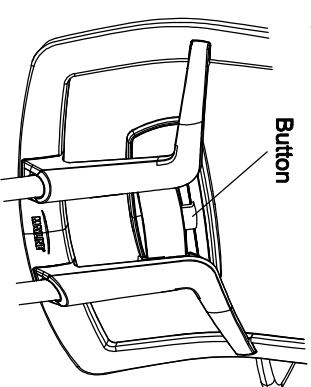
**OPERATING INSTRUCTIONS FOR TASK & TASK+ MECHANISM**

1. **Seat Height Adjustment Lever.**  
To raise the seat, rotate lever upward and raise your body up slightly to allow the chair to rise to the desired height.  
To lower the seat, rotate lever upward and apply weight downward on the seat.
2. **Tilt Tension Control Knob.**  
To increase tilt tension turn knob clockwise.  
To decrease tilt tension turn knob counter-clockwise
3. **Seat/Back Tilt Adjustment Lock Knob**  
To lock tilt adjustment to the desired position rotate knob counter-clockwise.  
To unlock tilt adjustment rotate knob clockwise, apply weight onto the back cushion and then lean forward.
4. **Seat Slider Lever.**  
To adjust seat slider while seated, place one leg of the base between your feet. Rotate lever upward and slide seat to desired position and release lever to lock seat.



**OPERATING INSTRUCTIONS FOR LUMBAR SUPPORT.**

1. **Lumbar Adjustment.**  
Press button down and ratchet the lumbar upward or downward to the desired height.



(4)