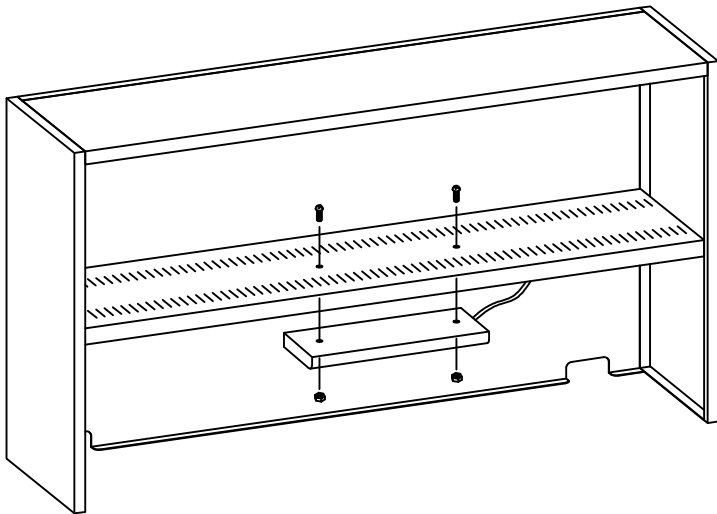


Kwik-File, LLC

FLUORESCENT LIGHT

ASSEMBLY INSTRUCTIONS



1. Remove the light shade.
2. Remove light bulb.
3. Insert screws through the holes in the shelf with the screw threads facing down.
4. Align the screws with the holes in the light and fasten on the inside of the light with the nuts provided.
5. Replace the bulb and the light shade. For maximum light illumination, face the light shade forward.

There are cord openings at either end of the unit to pass the cord through. Optional clips are available that will hold the cord to the back of the unit, please contact custom service.