

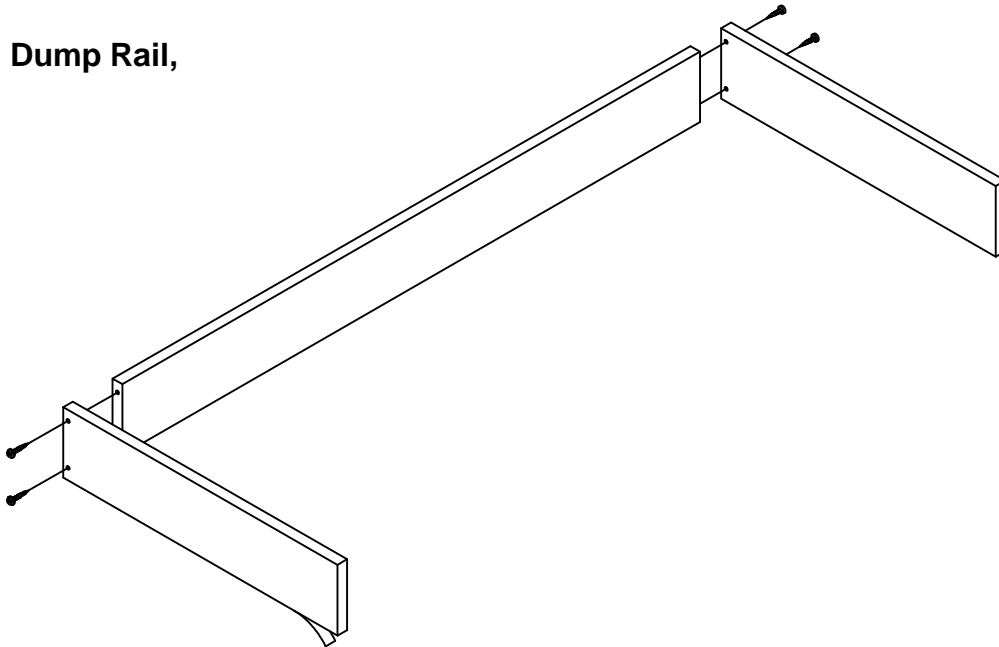
Kwik-File, LLC

Dump Rail Set

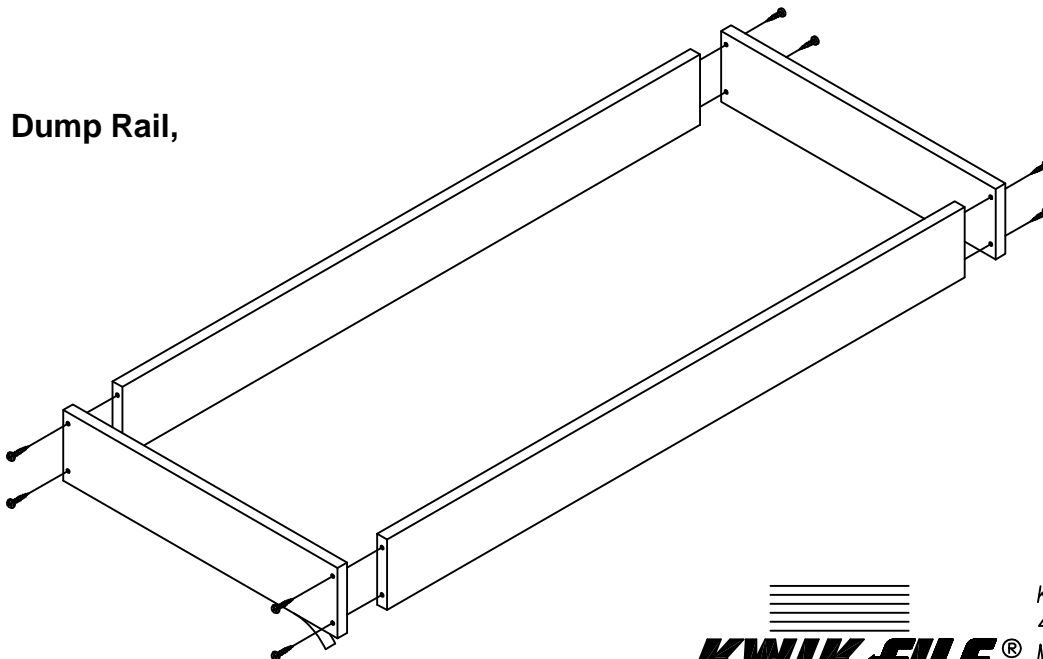
3 - Sided & 4 - Sided

1. Attach side rails to back rail using screws provided and pre-drilled holes.
2. Peel backing from two-sided tape on bottom of dump rail assembly. Position outside edge of rails to outside edge of work surface and press firmly to work surface. All Dump rail edges should be flush when positioned correctly.

**3 - Sided Dump Rail,
ADR3**



**4 - Sided Dump Rail,
ADR4**



Kwik-File, LLC
490 Northco Drive
Minneapolis, MN 55432
Phone: 1-800-822-8037
Fax: 920-457-7388
Online: www.mayline.com