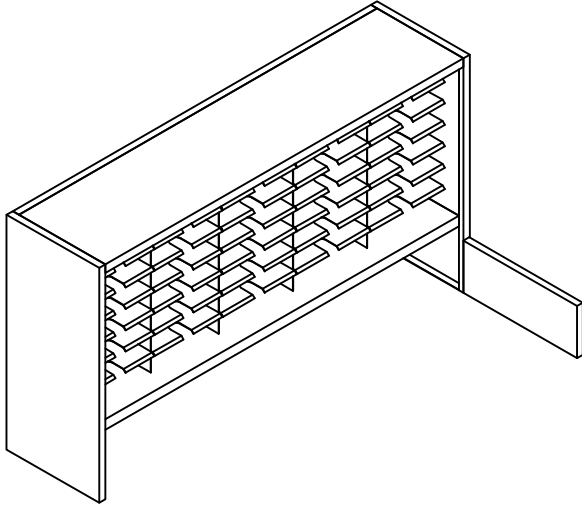


Kwik-File, LLC Mailflow-To-Go Dump Rails

Mailflow-To-Go Dump Rails, DR2,
15" W x 6" H x 3/4" D (shown with sorter)



1. Remove Backing from the 2-sided tape on bottom and back of each side rail.

2. Position in place by aligning the back of the side rail evenly with either left or right front end of the sorter, and the bottom of the side rail so it extends forward in line with the end of the sorter.

3. Press rail firmly to front edge of sorter and table top.

