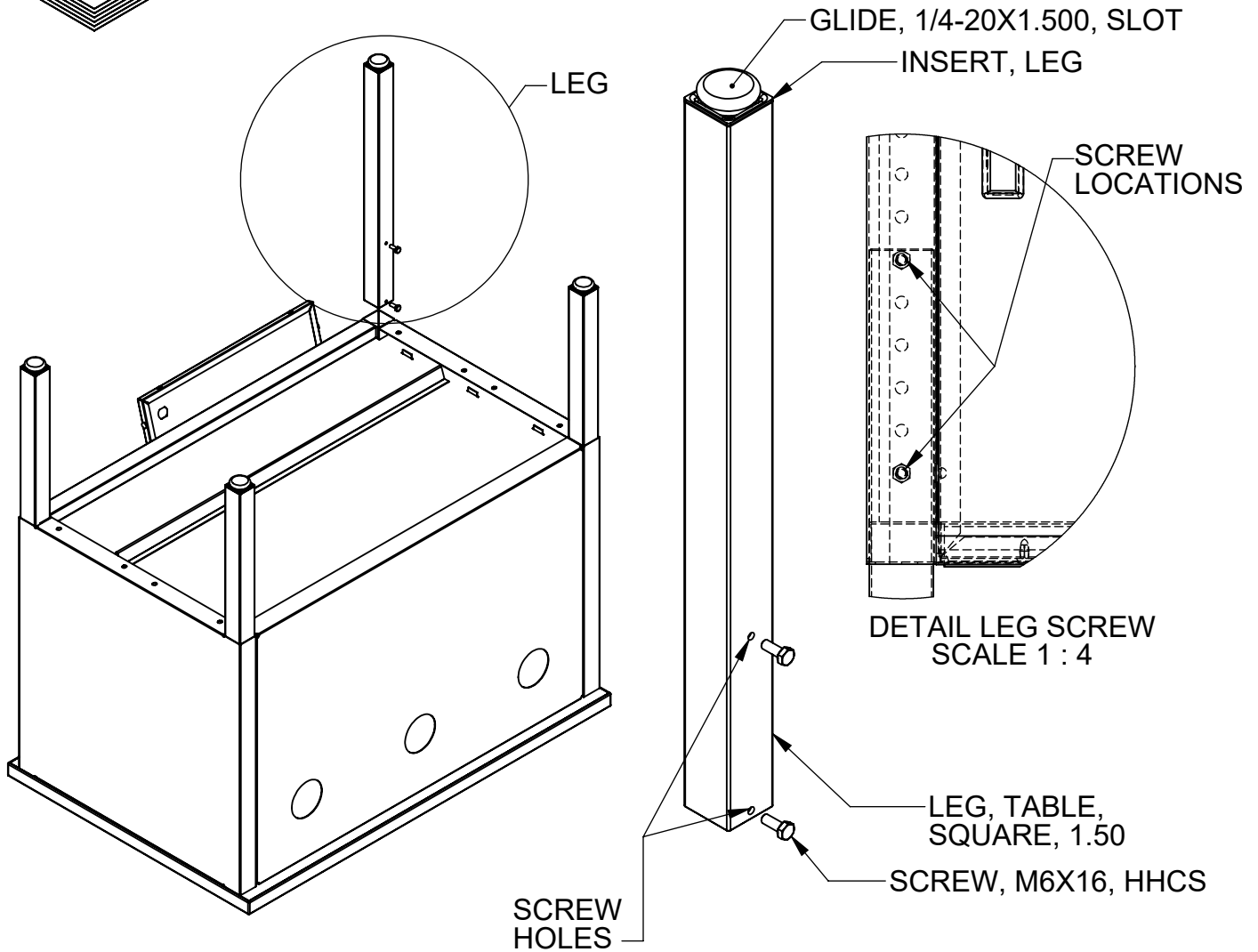
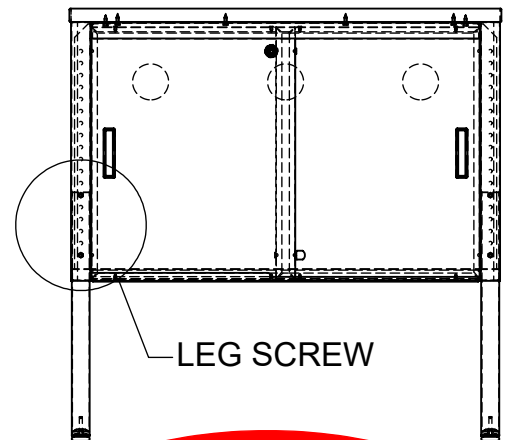


PLEASE READ ALL INSTRUCTIONS CAREFULLY BEFORE ASSEMBLING



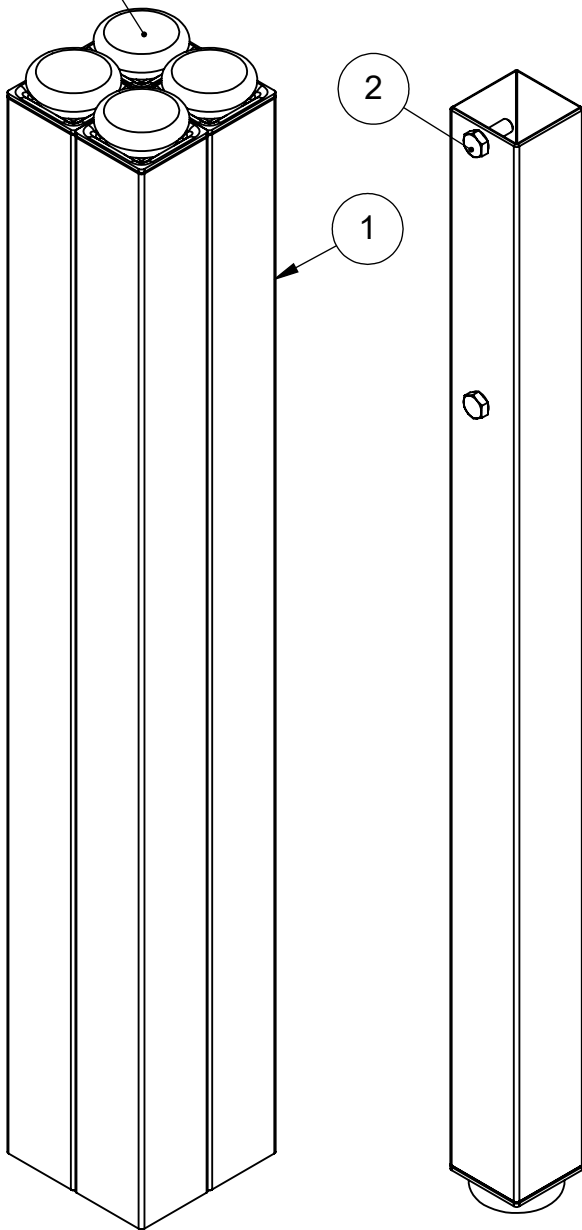
1. Place the unit top down on a pad or soft clean surface.
2. Remove screws from legs & set aside.
3. Insert each leg to the desired height and align holes in the leg with end panels holes.
4. Insert screws(start by hand). Prior to tightening, check to see that legs are adjusted to the same height.
5. Tighten leg screws securely.
6. Set unit on its legs and adust the glides as necessary to level the unit.



**MAYLINE®**

619 N. Commerce, P.O. Box 728 Sheboygan, WI 53082-0728  
 www.mayline.com 800-822-7388 920-457-7388

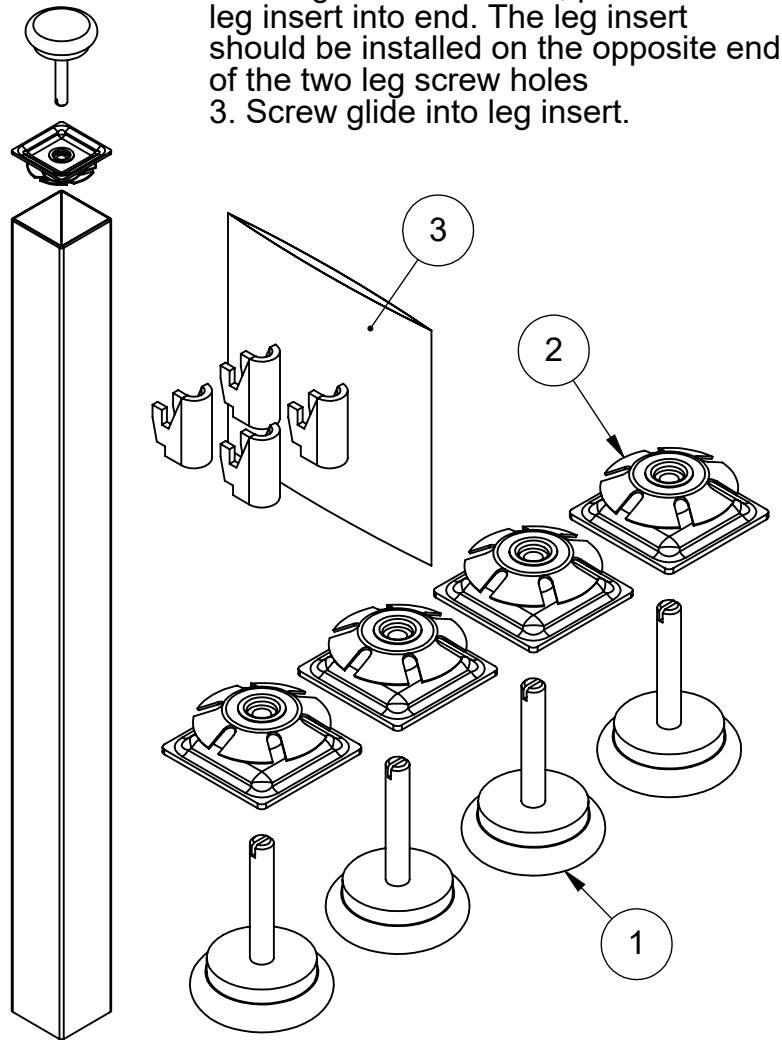
2506XX: KIT, LET, TABLE, 20.25



ITEM	DESCRIPTION	QTY
1	LEG, TABLE, SQUARE, 1.50X20.25	4
2	SCREW, M6X16, HHCS	8

LEG INSERT REPLACEMENT

1. Remove old insert from leg.
2. Using a rubber mallet, pound new leg insert into end. The leg insert should be installed on the opposite end of the two leg screw holes
3. Screw glide into leg insert.

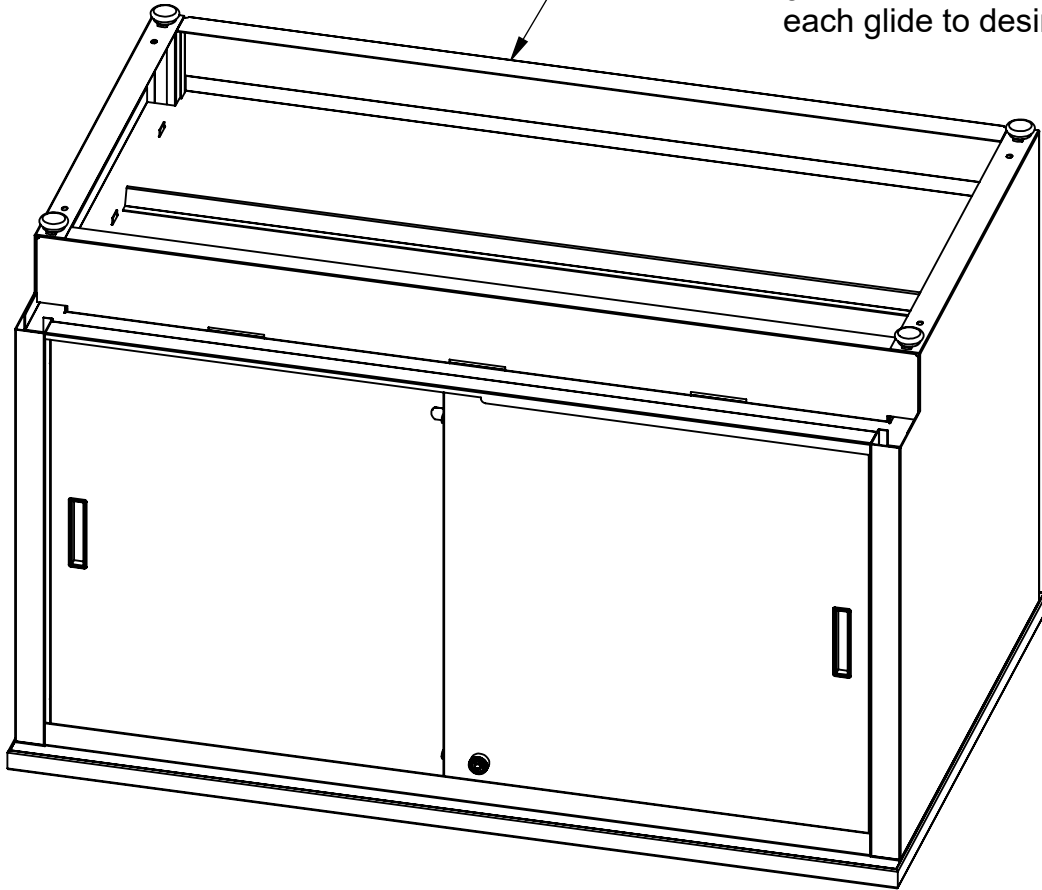


ITEM	PART NUMBER	DESCRIPTION
1	910080R	KIT, GLIDE, 1/4-20X1.50, 4-PACK, REPLACEMENT
2	910070R	KIT, REPLACEMENT, LEG INSERT, 4-PACK
3	911196R	KIT, HOOK, SHELF, 4-PACK, REPLACEMENT



619 N. Commerce, P.O. Box 728 Sheboygan, WI 53082-0728  
 www.mayline.com 800-822-7388 920-457-7388

MAILROOM CONSOLE

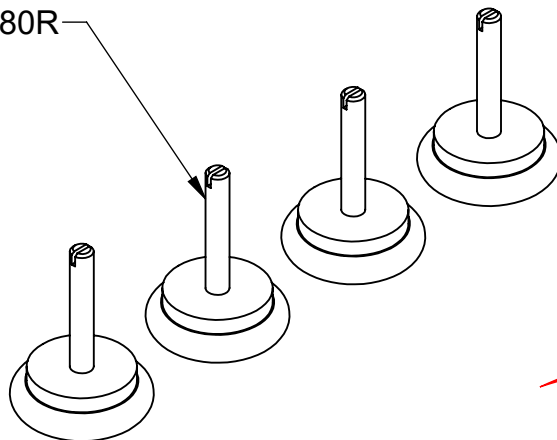


1. Place the unit top down on a pad or soft clean surface.
2. Screw a glide into each corner weldnut. Do not tighten.
3. Set the unit on its legs and adjust each glide to desired height.

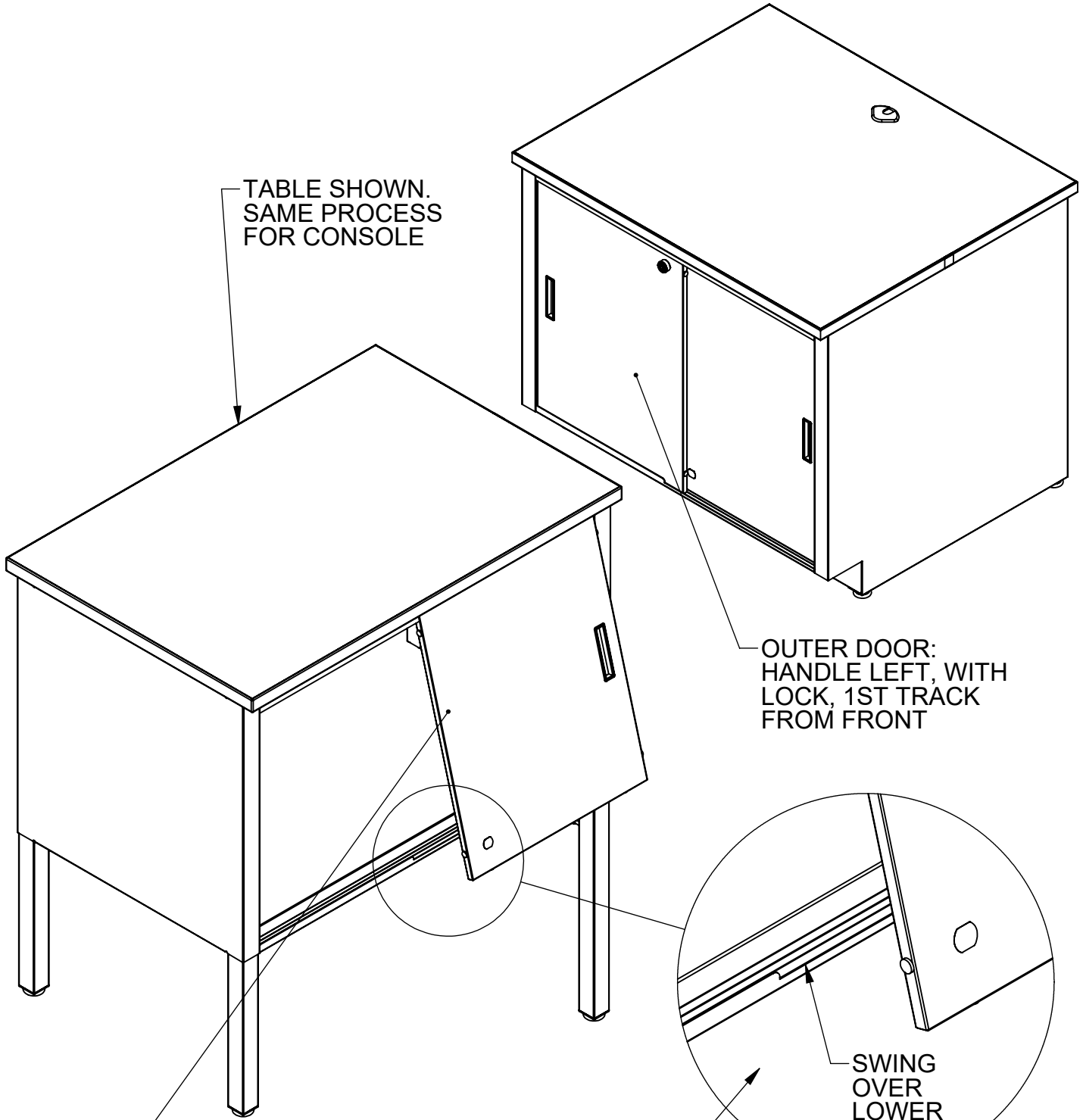
REPLACEMENT PARTS

ITEM	DESCRIPTION
1	KIT, GLIDE, 1/4-20X1.50, SLOT, 4-PACK

910080R



619 N. Commerce, P.O. Box 728 Sheboygan, WI 53082-0728  
 www.mayline.com 800-822-7388 920-457-7388



INNER DOOR: HANDLE RIGHT, NO LOCK, 2ND TRACK FROM FRONT

OUTER DOOR: HANDLE LEFT, WITH LOCK, 1ST TRACK FROM FRONT

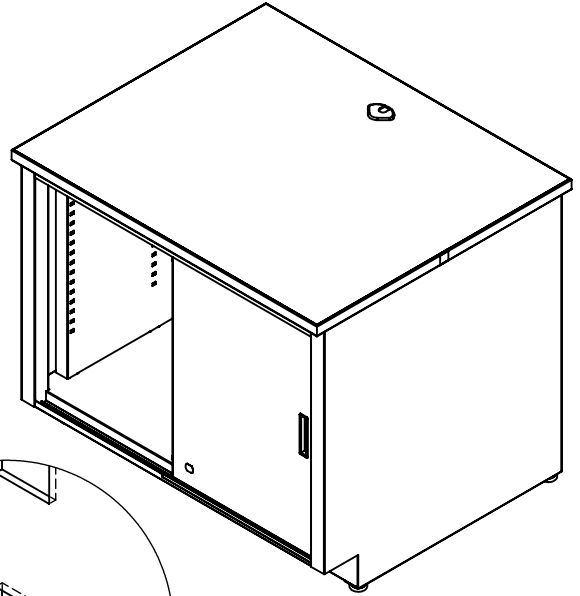
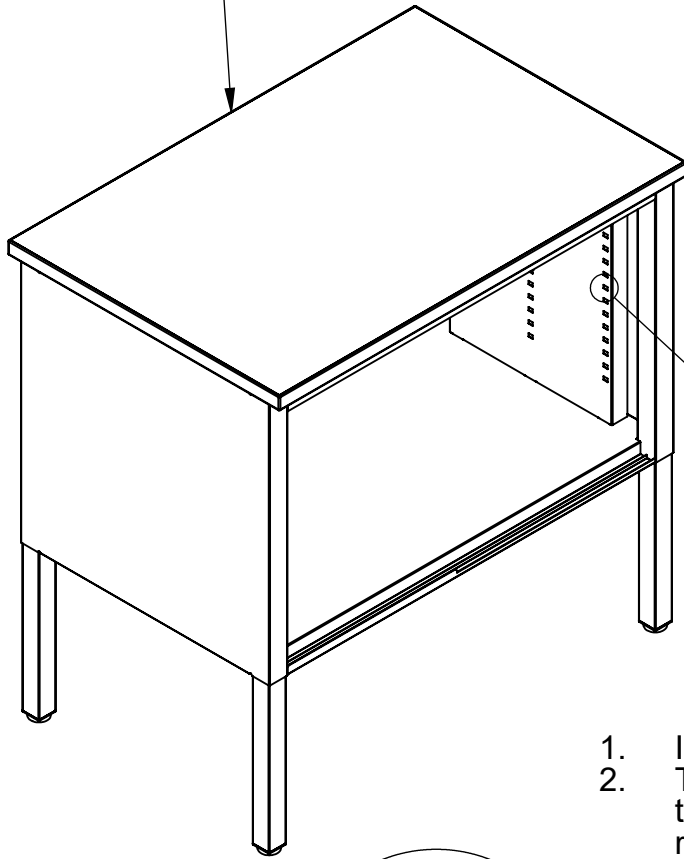
SWING OVER LOWER LIP

1. INSERT DOORS INTO TRACKS BY PUSHING UP INTO TOP TRACK, SWING & FALL INTO BOTTOM TRACK
2. REVERSE PROCEDURE TO REMOVE DOORS



619 N. Commerce, P.O. Box 728 Sheboygan, WI 53082-0728  
www.mayline.com 800-822-7388 920-457-7388

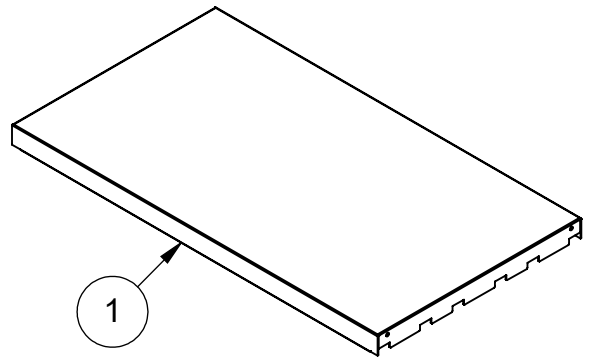
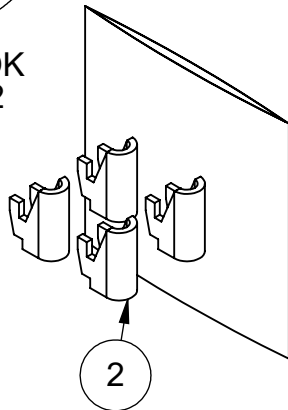
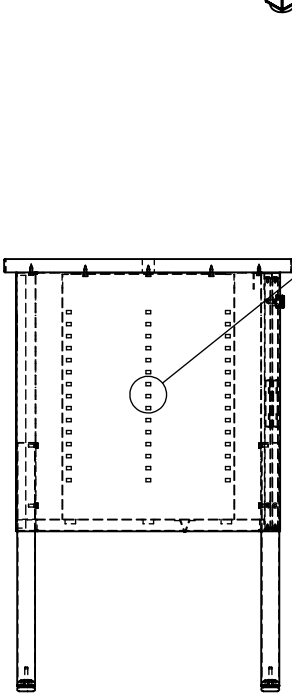
TABLE SHOWN.  
SAME PROCESS  
FOR CONSOLE



DETAIL HOOK

1. Install 6 clips, 3 per side, to right & left inside panel.
2. To insert clip: Tip until slanted surface of clip is touching outside of panel. Push teeth through rectangular hole. Pull clip back until teeth lock behind panel.
3. Verify height is the same for all 6 on both sides.
4. Slide shelf in horizontally 2-3 inches above clips. Two people are recommended, especially with larger shelves. Shelf can be slid in either way (symmetrical).
5. Push shelf all the way back to rear of cabinet.
6. Drop shelf down. clips should fall within notches.

DETAIL HOOK  
SCALE 1 : 2



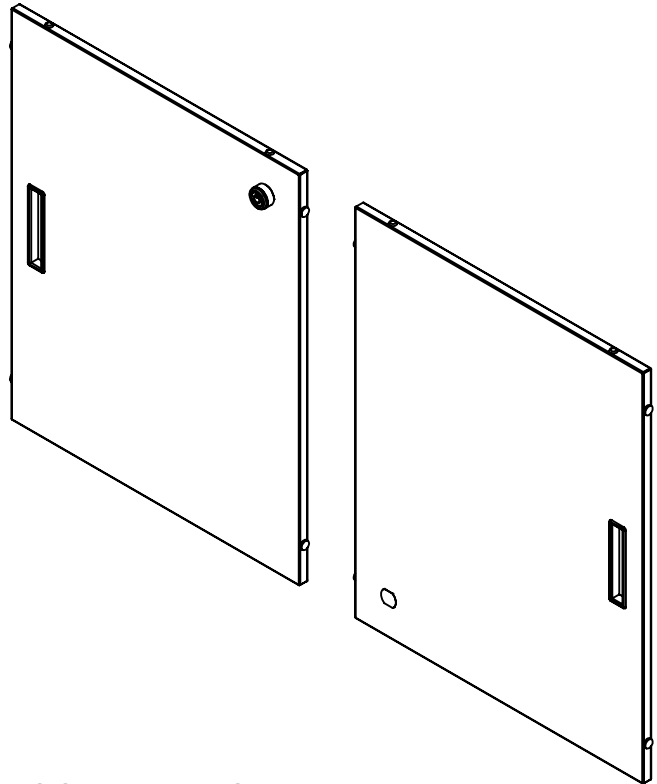
ITEM	DESCRIPTION	QTY
1	WELDMENT, SHELF, TABLE/CONSOLE	1
2	KIT, HOOK, SHELF, 4-PACK	2



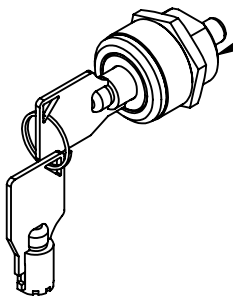
619 N. Commerce, P.O. Box 728 Sheboygan, WI 53082-0728  
www.mayline.com 800-822-7388 920-457-7388

DOOR REPLACEMENT KITS

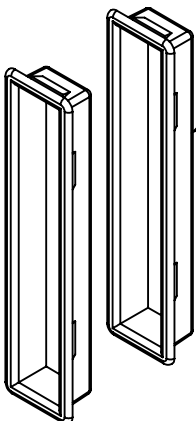
PART	DESCRIPTION
A889201	DOOR ASSEMBLY, TABLE 36X22
A889202	DOOR ASSEMBLY, TABLE 48X22
A889203	DOOR ASSEMBLY, TABLE 60X22
A889204	DOOR ASSEMBLY, TABLE 72X22
A889205	DOOR, ASSEMBLY, CONSOLE36X30
A889206	DOOR, ASSEMBLY, CONSOLE48X30
A889207	DOOR, ASSEMBLY, CONSOLE60X30
A889208	DOOR, ASSEMBLY, CONSOLE72X30
A889209	DOOR, ASSEMBLY, CONSOLE36X30
A889210	DOOR, ASSEMBLY, CONSOLE48X30
A889211	DOOR, ASSEMBLY, CONSOLE60X30
A889212	DOOR, ASSEMBLY, CONSOLE72X30



60210000, KIT, LOCK, REPLACEMENT



911195R, KIT, HANDLE, RECESSED, 2-PACK, REPLACEMENT



619 N. Commerce, P.O. Box 728 Sheboygan, WI 53082-0728  
 www.mayline.com 800-822-7388 920-457-7388

