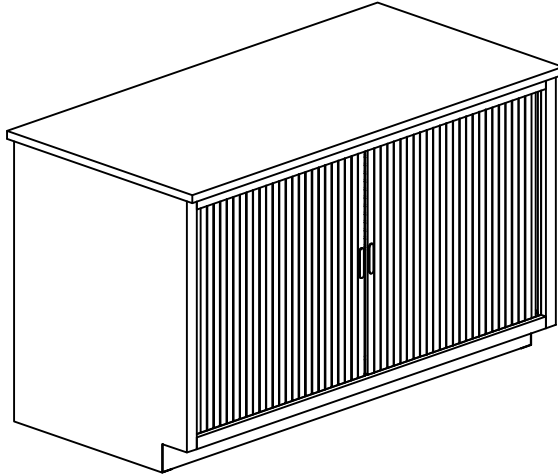


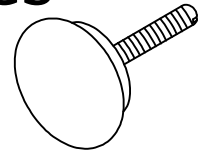
Kwik-File, LLC Tambour Door Consoles

ASSEMBLY INSTRUCTIONS

(CL36T, CH36T, CL48T, CH48T, CL60T, CH60T, CL72T & CH72T)

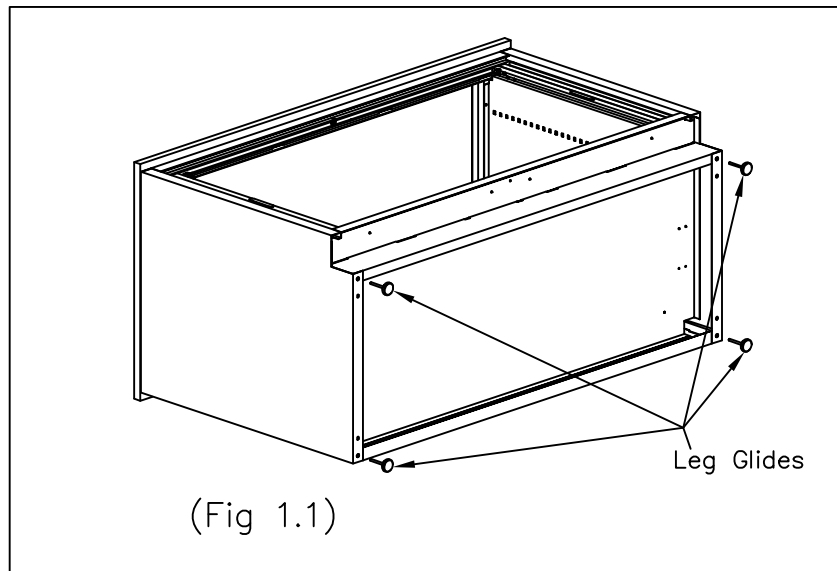


Unit Ships
with
Leveling Leg
Glides



Replacement Part:
910080R - Kit of (4)

1. Remove Console from packaging.
2. Tip unit on its back and install (4) leg glides into weld nuts. Set Console upright and place into position. Level Console by adjusting the leg glides. (Fig 1.1)



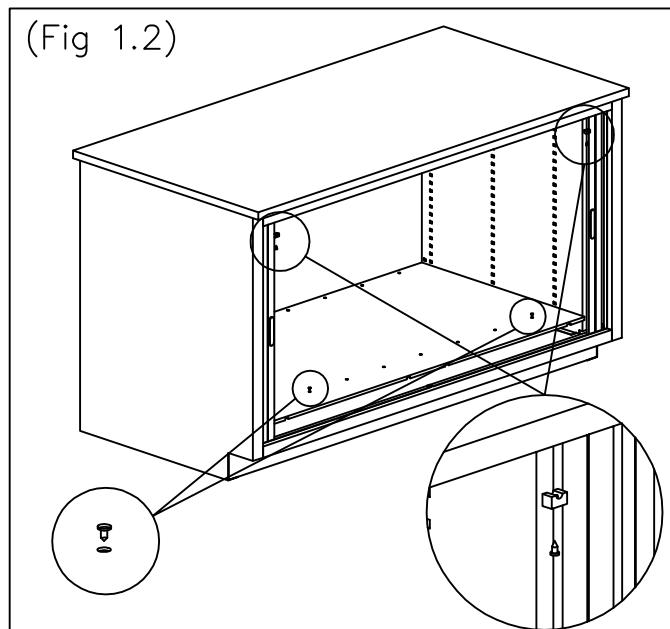
Install Leg Glides

KWIK-FILE[®]

Kwik-File, LLC
490 Northco Drive
Minneapolis, MN 55432
Phone: 1-800-822-8037
Fax: 920-457-7388
Online: www.mayline.com

3. Remove (2) door stops in top track which were holding doors open during shipment. Remove (2) screws in bottom shelf that were utilized for shipping. Discard these parts. (Fig. 1.2)

4. Console unit install is complete.



Remove door stops & screws

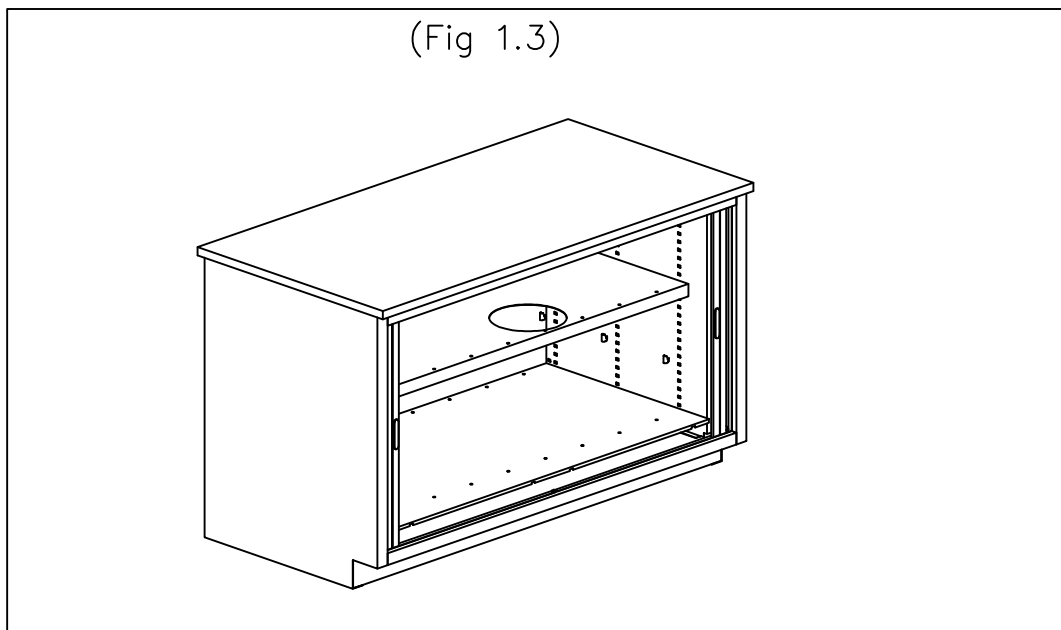
Console Tambour Shelf Install (Optional Item) CTS36, CTS48, CTS60 & CTS72

ASSEMBLY INSTRUCTIONS

1. Push doors to their fully open position.

2. Install (3) shelf hooks per side at desired height for shelf (note: there will be (2) extra shelf hooks sent with shelf). Place shelf into position and press into shelf hooks.

(Fig. 1.3)



Kwik-File, LLC
490 Northco Drive
Minneapolis, MN 55432
Phone: 1-800-822-8037
Fax: 920-457-7388
Online: www.mayline.com