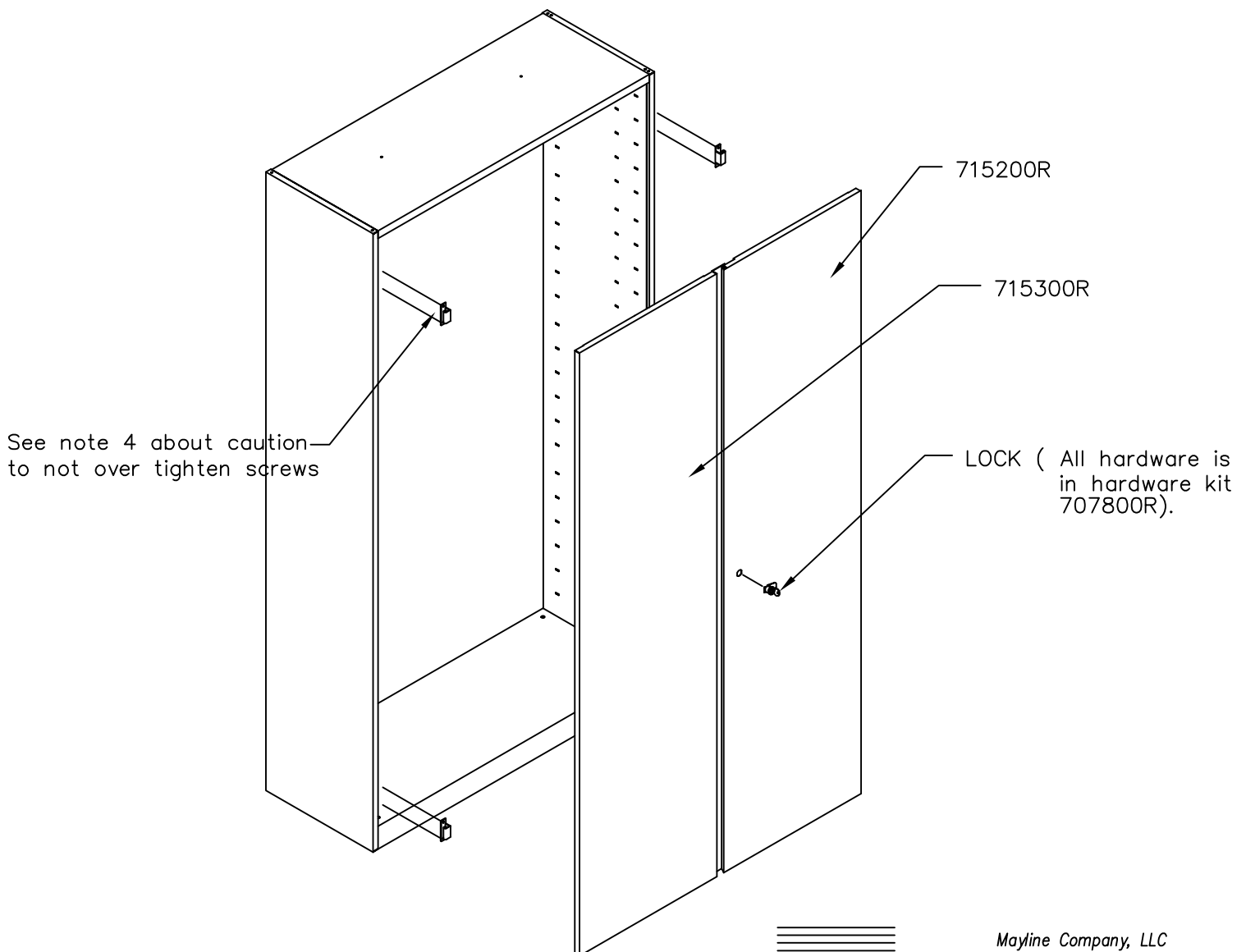


# Kwik-File, LLC

## Door kit drill instructions

1. Both left and right end panels have four dimples in them, two on top and two on the bottom.
2. These dimples are for the purpose of locating the drill marks for door mounting. The holes are located 4.58 from the top and 66.75 from top holes to the bottom holes. Each set of holes to be 2.09 apart from each other.
3. When holes are located, drill a .093 (3/32") diameter hole in each of these locations.
4. Screw hinge into these holes using the #8 3/8" long flat head screws. CAUTION, do not over tighten
5. Hang door on hinges, add hinge pin.
6. One cable door stop is provided for each door, attach cable to top of door using flat head washer and # 6 self tapping screw. The other end of cable can be located on frame where you want by drilling an .093 (3/32") diameter hole and screwing in place.
7. When installing lock the cam should catch on the bottom lip of interior shelf. Cam portion of lock should be a 3 o'clock and should turn to the left to lock.



Mayline Company, LLC  
619 N. Commerce, P.O. Box 728  
Sheboygan, WI 53082-0728  
Toll Free: 1-800-822-8037  
FAX: 920-457-7388  
On Line: [www.mayline.com](http://www.mayline.com)