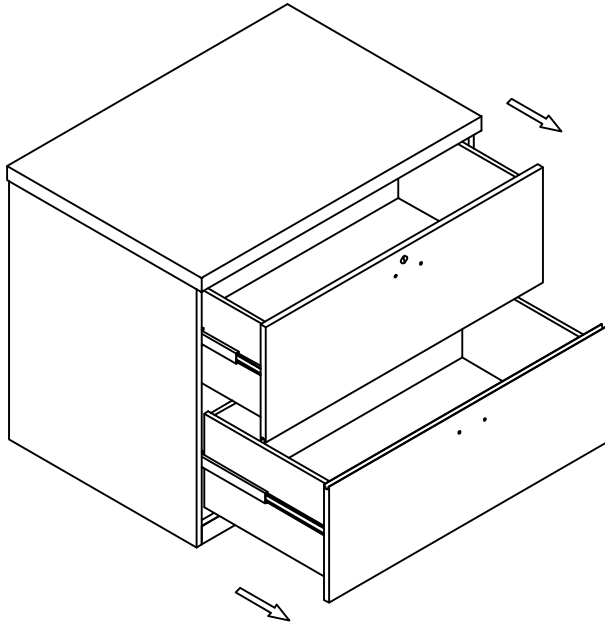
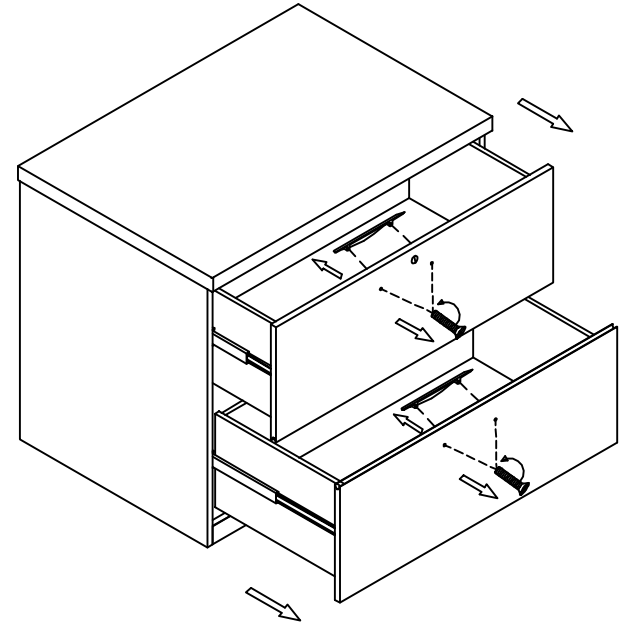


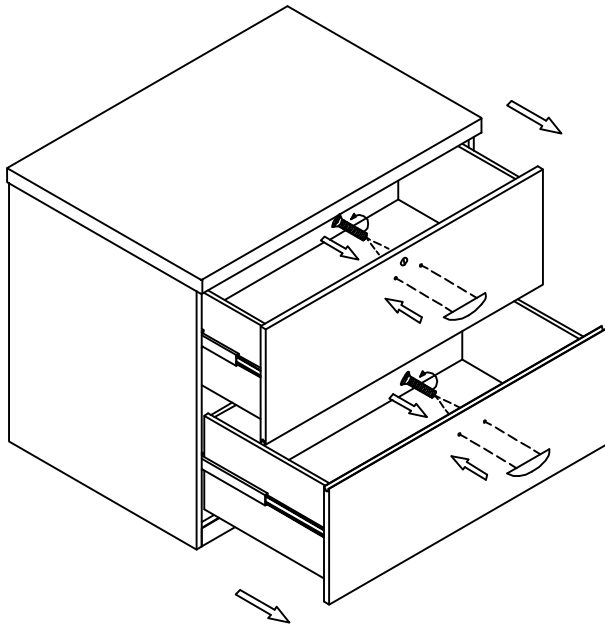
STEP 1



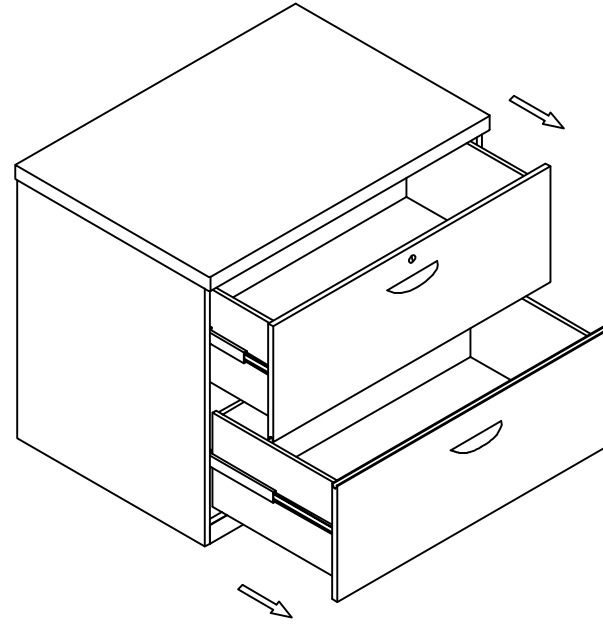
STEP 2



STEP 3



STEP 4



NAME: LATERAL FILE
TYPE: M-LF23624-MC
SPECIFICATION: 34.6"W*34"D*29.33"H

AVA
FURNITURE GROUP