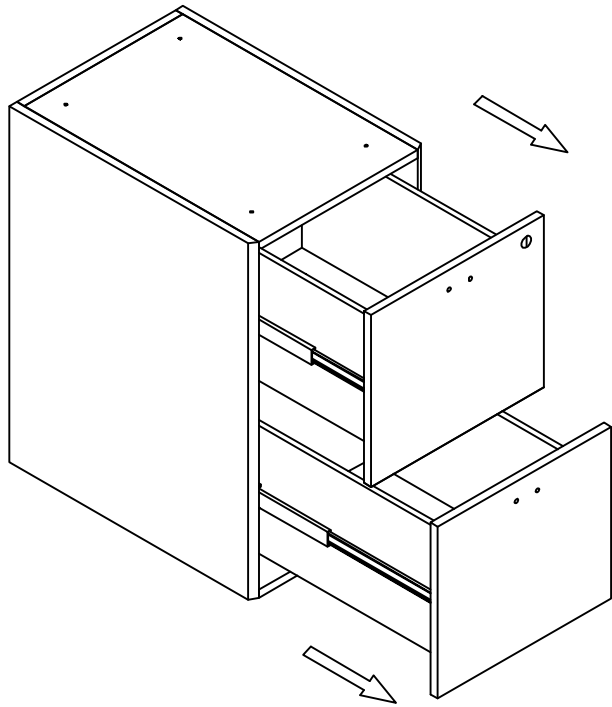
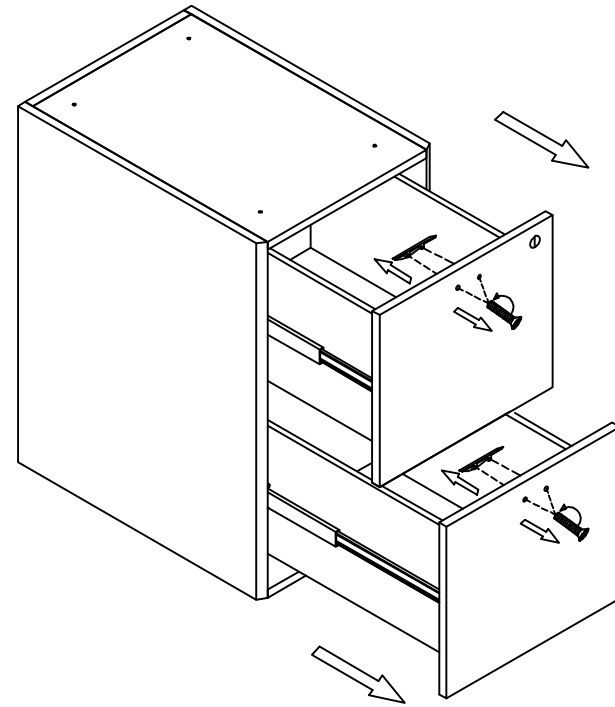


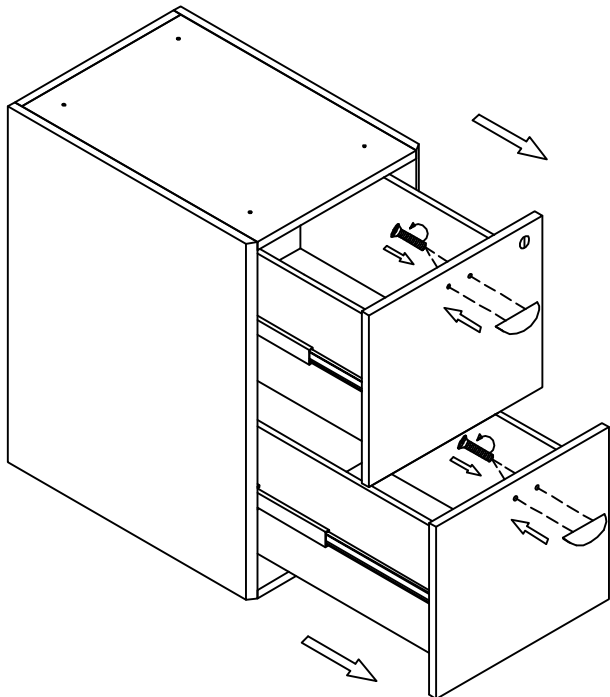
STEP 1



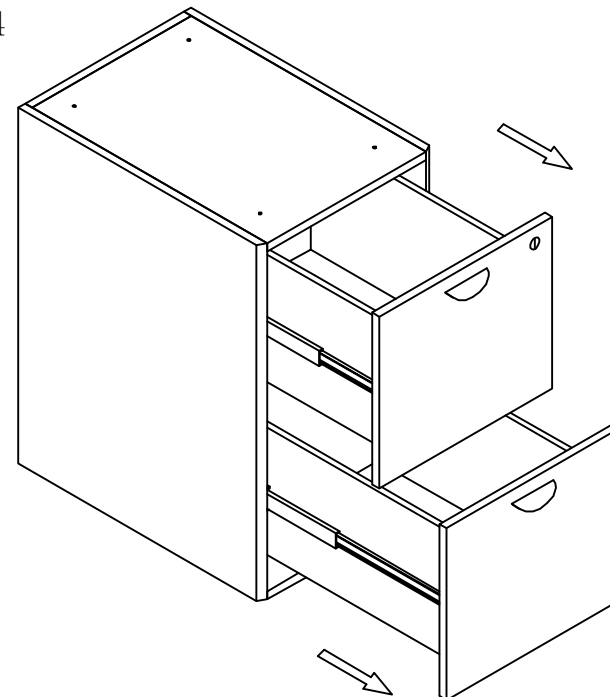
STEP 2



STEP 3



STEP 4



NAME: HANGING CABINET  
TYPE: M-PFF22-MC  
SPECIFICATION: 15.2"W\*22"D\*27.55"H

