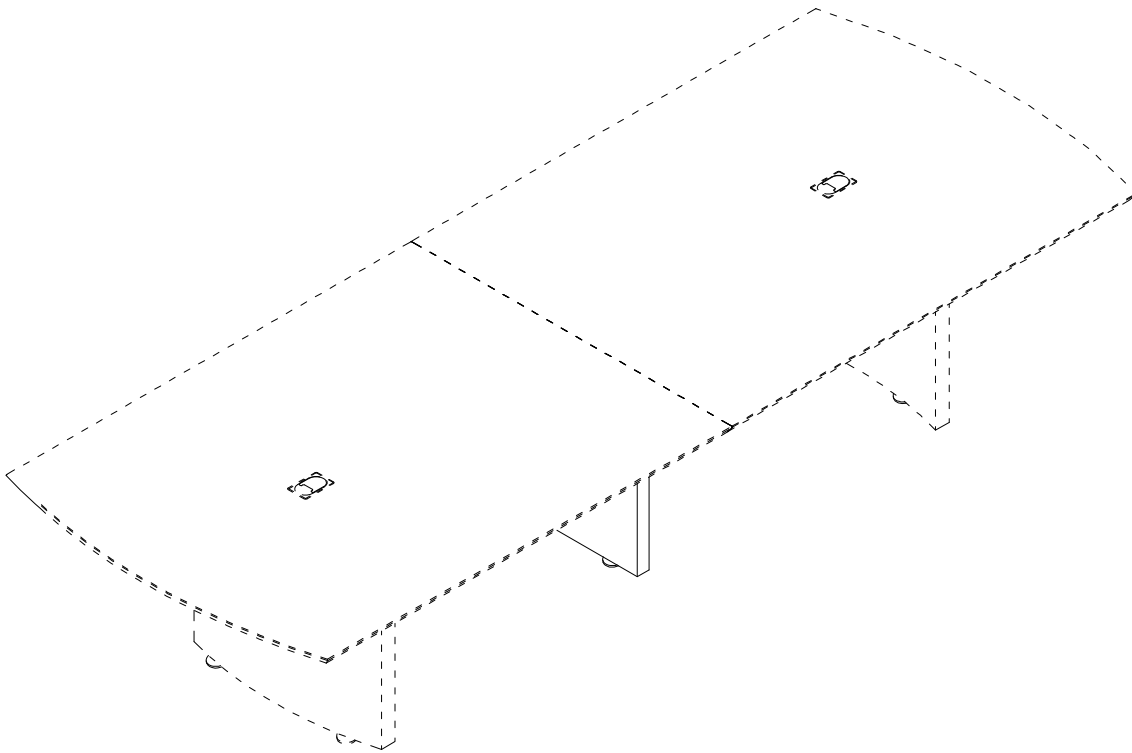


Tiffany Industries™
A MAYLINÉ GROUP COMPANY

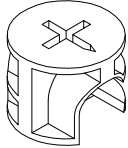

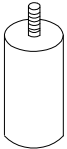
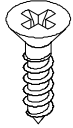
Napoli Center Base Leg Model No. NMTSL

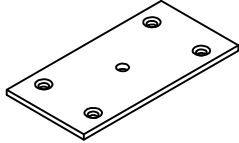

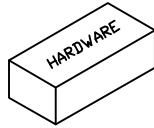


ASSEMBLY INSTRUCTIONS

CALL 1-800-822-8037 FOR ASSISTANCE

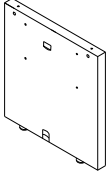
PARTS LIST

Name	Part	Qty.	Spare Qty
A*	 <p style="text-align: right;">HB</p> <p>REALS001 Cam Fastener</p>	10	
B*	 <p style="text-align: right;">HB</p> <p>REALS003 Cam Post</p>	10	
C	 <p style="text-align: right;">HB</p> <p>REALS039 Stand-Off, 32mm</p>	2	
D*	 <p style="text-align: right;">HB</p> <p>REALS016 4x16mm</p>	8	


Name	Part	Qty.	Spare Qty
E	 <p style="text-align: right;">HB</p> <p>REALS168 Mounting Plate</p>	2	
F*	 <p style="text-align: right;">HB</p> <p>REALS006** Cam Plug</p>	2	
	 <p style="text-align: center;">NMTSLHB</p>		

Items with HB are in hardware box.
 *For Individual Items, Order By Part Number.
 **Denotes Color Code

PARTS LIST

Name	Part	Qty.
G*	 NMTSL** Base	1

Pre-Assembled Replacement Part List

Replacement #	Part	Qty.
REALS067*	 Leveler	2

*For Individual Items, Order By Part Number.

**Denotes Color Code

