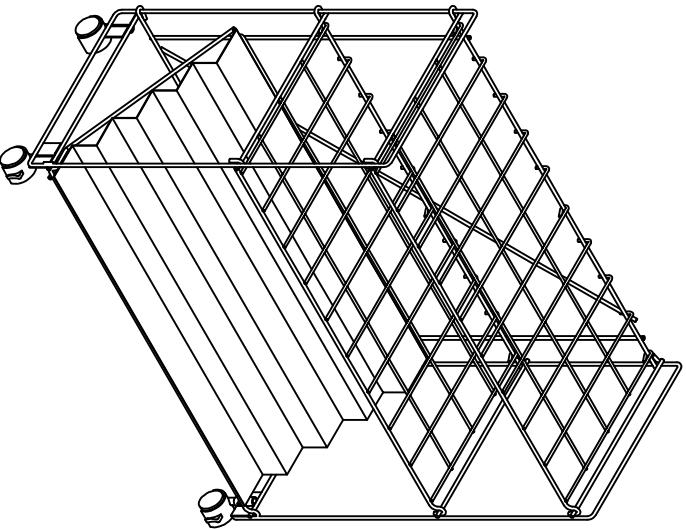




Wire Roll Cart-36 Slot

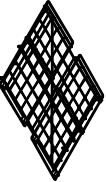

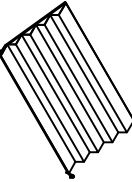

Model No. RF36



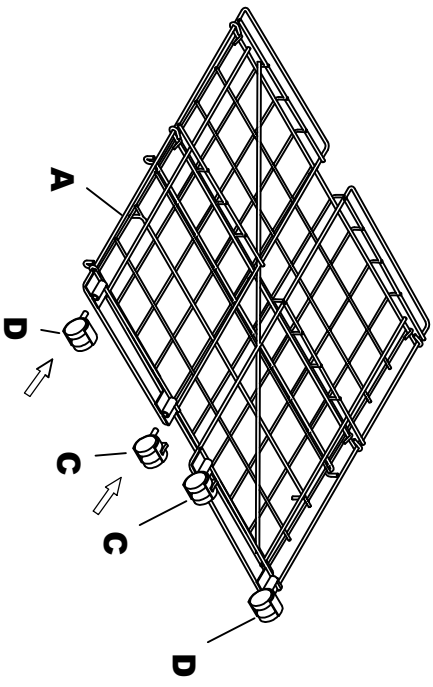
ASSEMBLY INSTRUCTIONS

CALL 1-800-822-8037 FOR ASSISTANCE

PARTS LIST

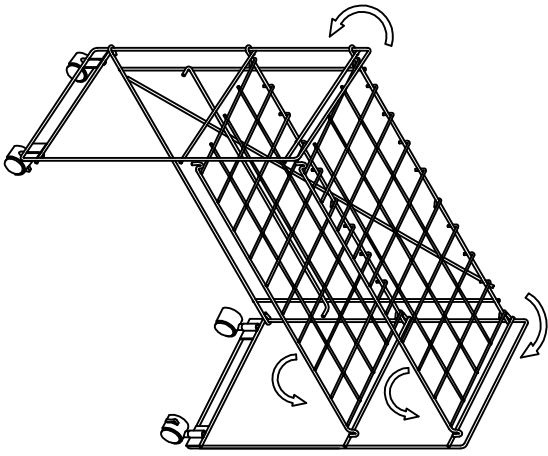
Name	Part	Qty.	Name	Part	Qty.
A	 Wire Rack	1	C	 Casters-Locking	2
B	 Base	1	D	 Casters-Non Locking	2

1



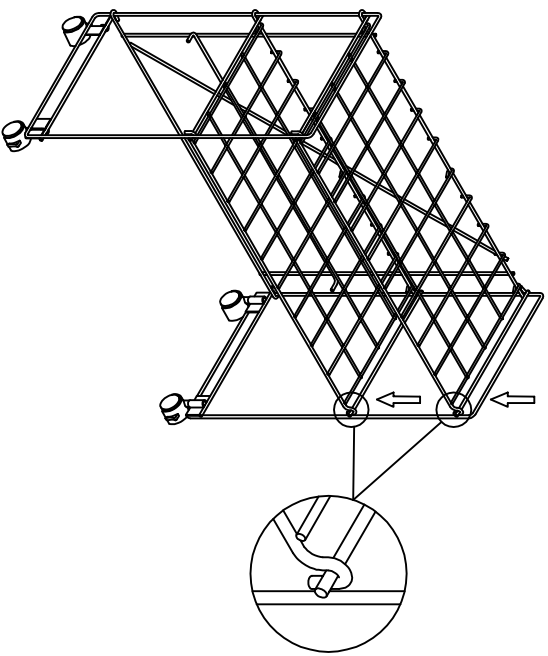
Push casters into sockets on wire rack until they snap into place.

2



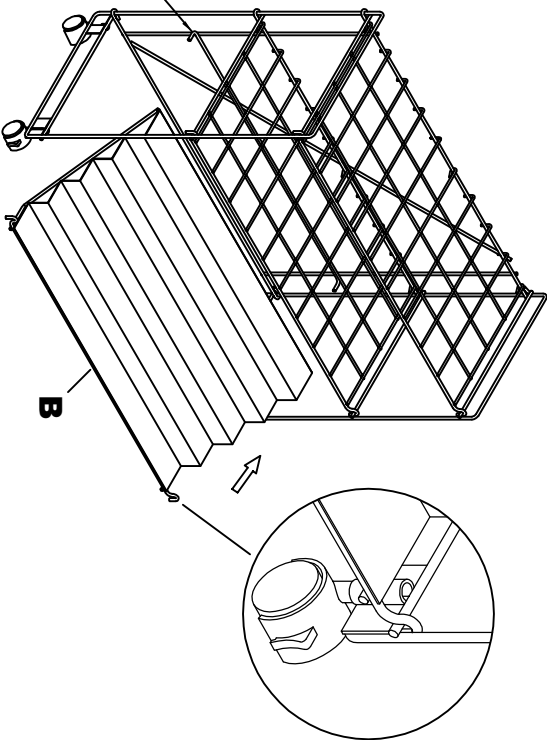
Stand up wire rack onto casters. Rotate side panels 270 degrees.

3



Hang the two shelves on the side panel support bars.

Back Support



Place base with top resting on back supports and front hooks around the support bars.

2

3