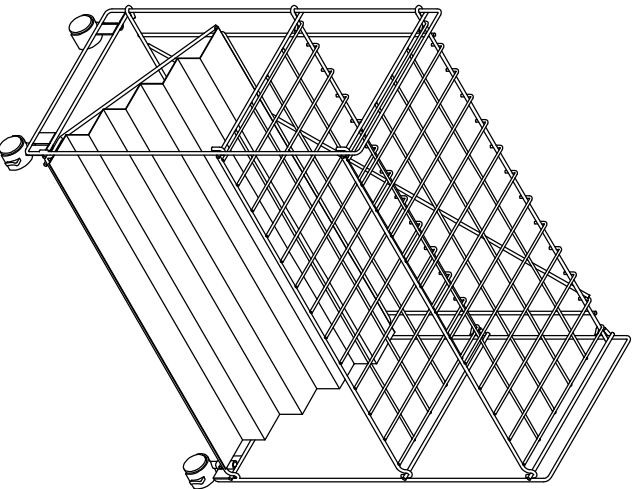




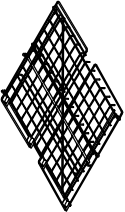

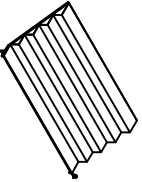

Wire Roll Cart-60 Slot
Model No. RF60



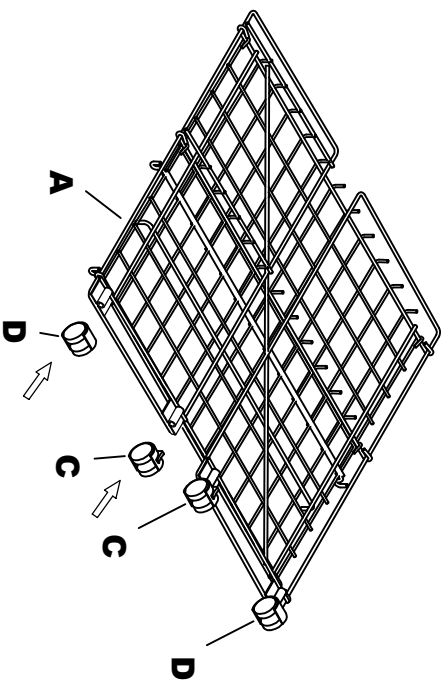
ASSEMBLY INSTRUCTIONS

CALL 1-800-822-8037 FOR ASSISTANCE

PARTS LIST

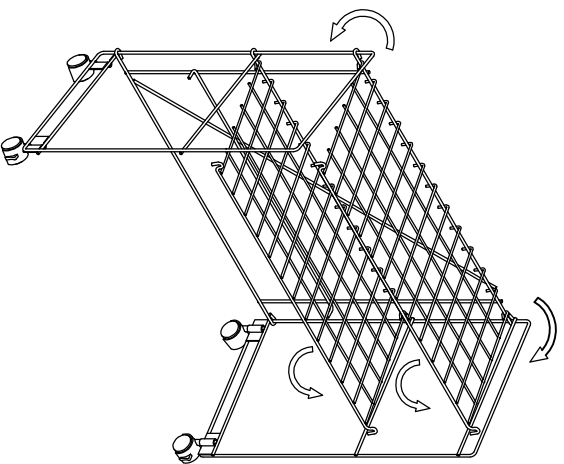
| Name | Part | Qty. | Name | Part | Qty. |
|----------|----------------------------------------------------------------------------------------------------|----------|----------|------------------------------------------------------------------------------------------------------------|----------|
| A |  Wire Rack | 1 | C |  Casters-Locking | 2 |
| B |  Base | 1 | D |  Casters-Non Locking | 2 |

1



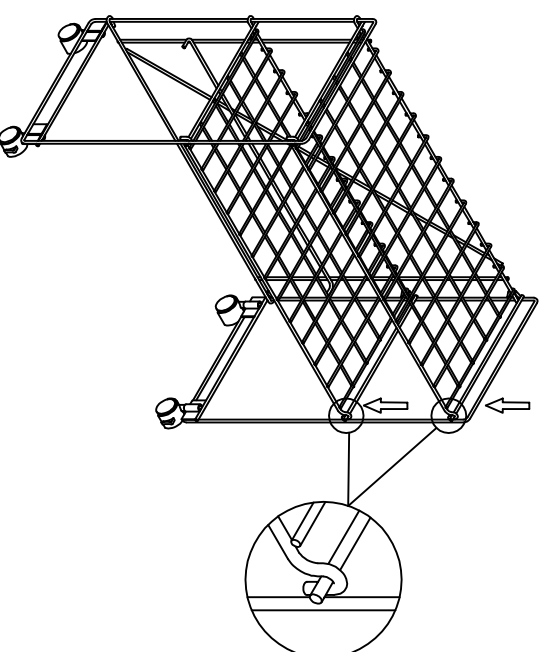
Push casters into sockets on wire rack until they snap into place.

2



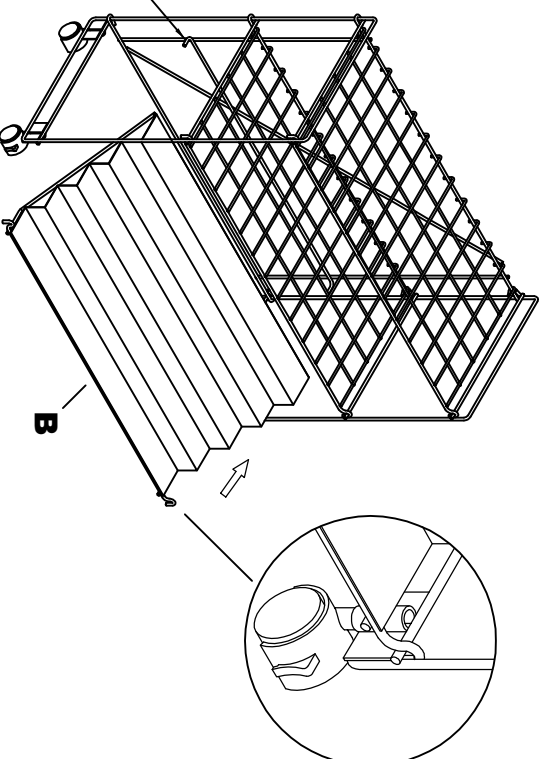
Stand up wire rack onto casters. Rotate side panels 270 degrees.

3



Hang the two shelves on the side panel support bars.

Back Support



Place base with top resting on back supports and front hooks around the support bars.

2

3