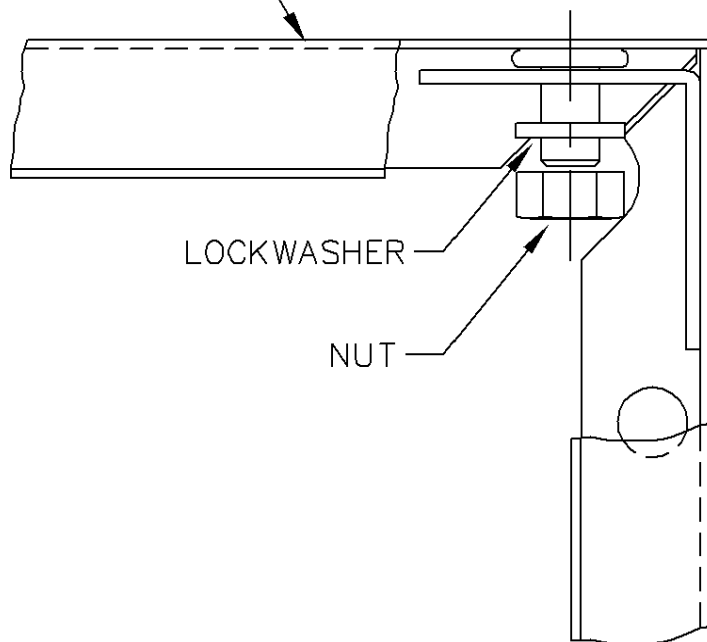


# ASSEMBLY INSTRUCTIONS for FLUSH BASE ASSEMBLY

FRONT/REAR RAIL ASSY  
(WITH WELD STUDS)



LOCKWASHER

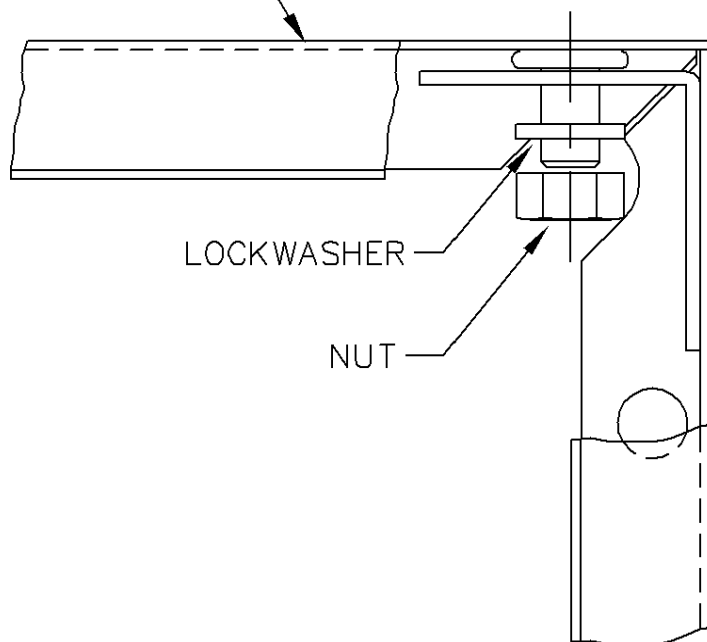
NUT

END RAIL ASSEMBLY  
(WITH BRACKETS)

I-174 REV 2 4-99

# ASSEMBLY INSTRUCTIONS for FLUSH BASE ASSEMBLY

FRONT/REAR RAIL ASSY  
(WITH WELD STUDS)



LOCKWASHER

NUT

END RAIL ASSEMBLY  
(WITH BRACKETS)

I-174 REV 2 4-99