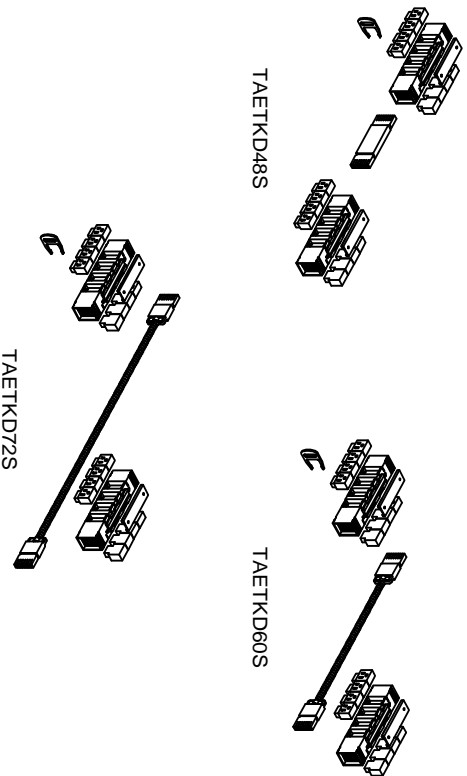


# TransAction™

## Double Sided Workstation Power Kits

### TAETKD48S, TAETKD60S & TAETKD72S

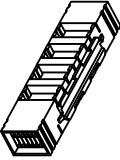
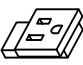
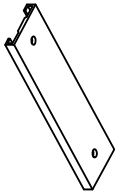







**ASSEMBLY INSTRUCTIONS**  
**CALL 1-800-822-8037 FOR ASSISTANCE**

P/N **TAETKDS** 10/04/10

[www.mayline.com](http://www.mayline.com)

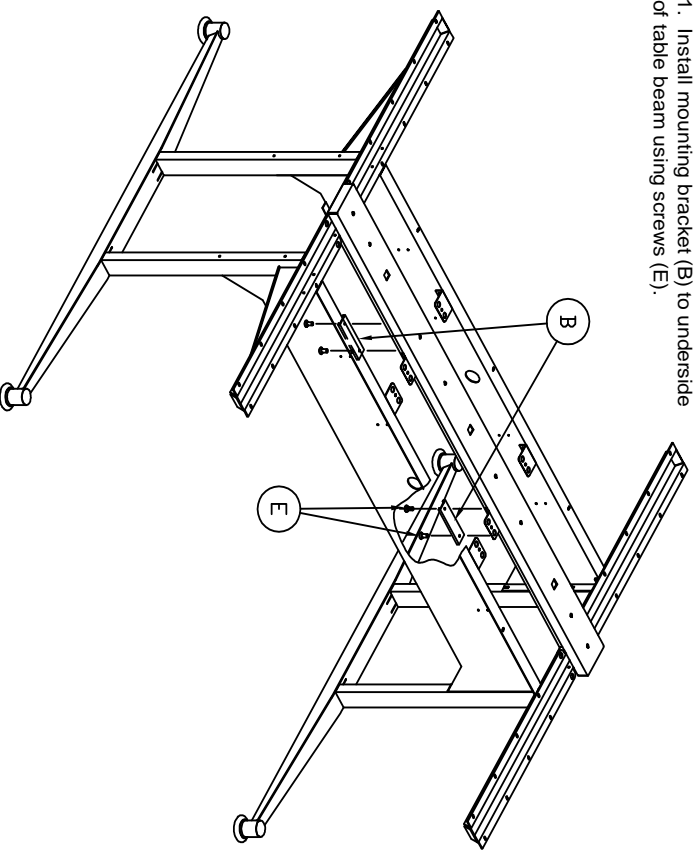
## PARTS LIST

Name	Part	Qty.	Name	Part	Qty.
<b>A</b>	 Power Block	<b>2</b>	<b>D</b>	 Receptacle	<b>16</b>
<b>B</b>	 Mounting Bracket	<b>2</b>	<b>E</b>	 Screw #8-32 x 3/8	<b>4</b>
<b>C</b>	 Interconnecting Cable, 3.5" (48" Tables)	<b>1</b>	<b>F</b>	 Removal Tool	<b>1</b>
	 Interconnecting Cable, 16" (60" Tables)	<b>1</b>			
	 Interconnecting Cable, 28" (72" Tables)	<b>1</b>			

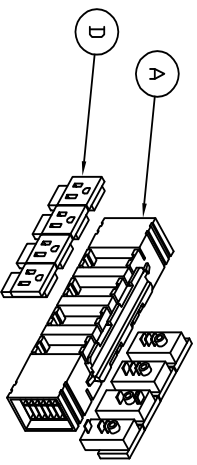
**IMPORTANT:**  
**Read all instructions before beginning job.** These instructions are provided to avoid problems that may occur from improper assembly. The manufacturer and/or distributor are not responsible for failure resulting from improper assembly or installation. Moreover, all warranties are void for failure to follow these assembly instructions.

**NOTE:** Power infeed should be installed by a licensed electrician in accordance with local building codes.

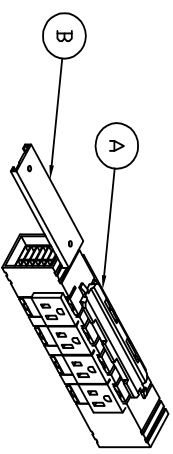
1. Install mounting bracket (B) to underside of table beam using screws (E).



2. Snap receptacles (D) into power block (A).



3. Slide power block (A) into mounting bracket (B).



4. Connect power blocks (A) using interconnect cables (C) or infeed (sold separately).

