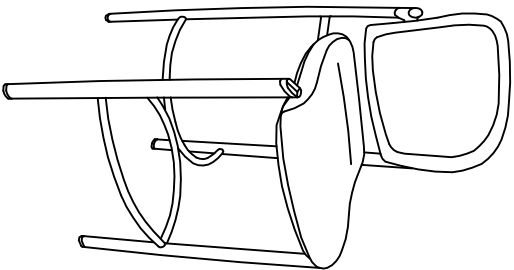


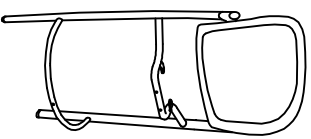
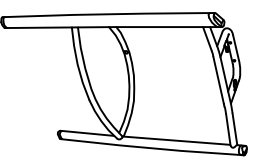

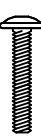
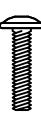



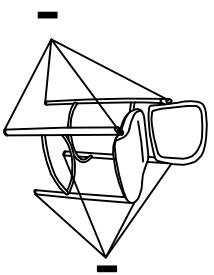
**ASSEMBLY INSTRUCTIONS**  
**VALORE' SERIES STOOL**  
**MODEL NO. TSS2**



**PARTS LIST TSS2**

When ordering components, specific color and/or size information may be required.  
 Contact a Mayline Customer Service Representative. 1-800-822-8037

\* Individual Items, Order by part number.  
 \*\* Denotes Color Code

Reference Letter <b>A</b> *		<b>1</b>
Part Number 102053** Frame/Rear		
Reference Letter <b>B</b> *		<b>1</b>
Part Number 102050 Frame/Front		
Reference Letter <b>C</b> *		<b>1</b>
Part Number 102051** Seat		
Part Number 102052 * Hardware Pack		
Reference Letter <b>D</b>		<b>2</b>
Screw M6 x 40mm		
Reference Letter <b>E</b>		<b>2</b>
Screw M6X35mm		
Reference Letter <b>F</b>		<b>3</b>
Screw M6X35mm		
Reference Letter <b>G</b>		<b>1</b>
Allen Wrench M5X110mm		
Reference Letter <b>H</b>		<b>1</b>
Allen Wrench M4X60mm		
Replacement Part Number not included in assembly.		
Reference Letter <b>I</b>		<b>1</b>
102048 Leg Insert Kit 8pcs		

**IMPORTANT!**

**Review ALL instructions before beginning assembly.** These instructions are provided to avoid problems that may occur from improper assembly or installation. Mayline and/or its distributor are not responsible for failure resulting from improper assembly or installation of this product. Moreover, all warranties are void for failure to follow these assembly instructions.

**MAYLINE**

Mayline Company, LLC  
 619 N. Commerce, P.O. Box 728  
 Shakopee, MN 55082-0728  
 Toll Free: 1-800-822-8037  
 FAX: 920-457-7388  
 On Line: www.mayline.com

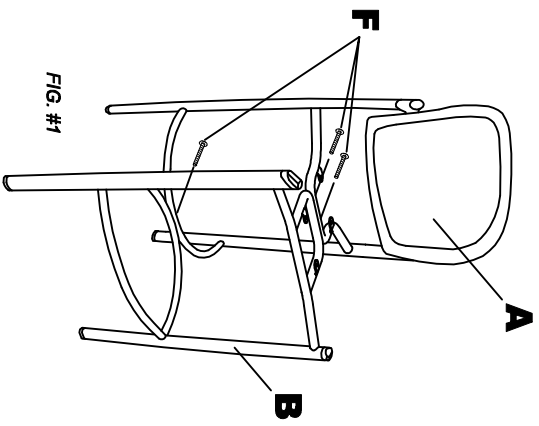


FIG. #1

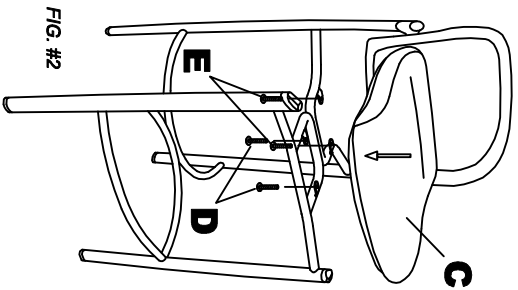


FIG. #2

1. Assemble Front & Rear Frame (A&B) using Screws (F). DO NOT TIGHTEN until all three screws are in place and 4 legs are level. See Figure # 1.

2. Assemble Seat (C) to Frame using Screws (D&E) 4 Places. See Figure #2.