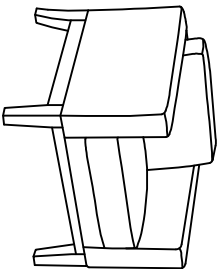
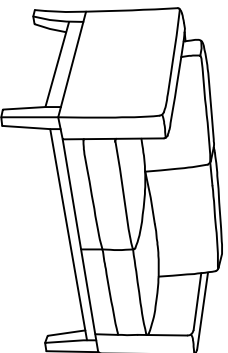


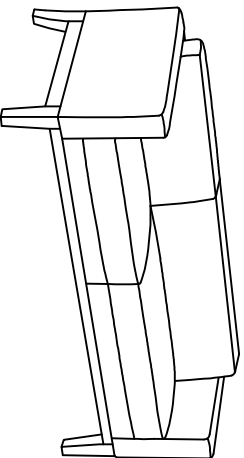
ASSEMBLY INSTRUCTIONS
PRESTIGE SERIES LOUNGE FURNITURE
MODEL NO. VCL1, VCL2 & VCL3



VCL1



VCL2



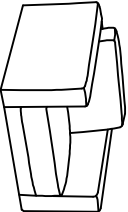
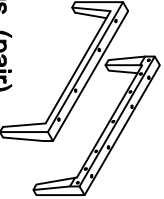
VCL3






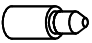
IMPORTANT!
Review ALL instructions before beginning assembly. These instructions are provided to avoid problems that may occur from improper assembly or installation. Mayline and/or its distributor are not responsible for failure resulting from improper assembly or installation of this product. Moreover, all warranties are void for failure to follow these assembly instructions.

PARTS LIST VCL1, VCL2 & VCL3

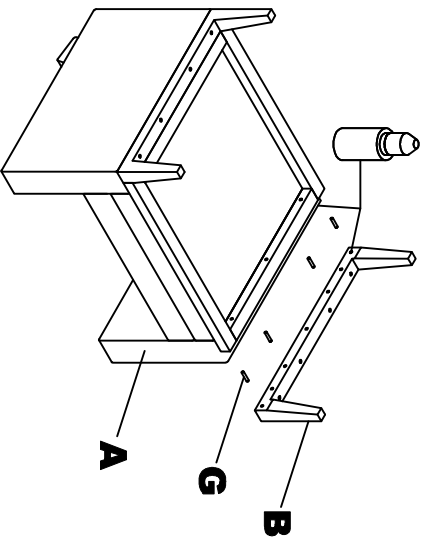
When ordering components, specific color and/or size information may be required. Contact a Mayline Customer Service Representative, 1-800-822-8037

* Individual Items, Order by part number.
 ** Denotes Color Code

Reference Letter	Quantity
A 	1
B * Part Number CM256** Legs, (pair) 	2

Part Number	Quantity	Spare
CM255 * Hardware Pack		
C Reference Letter  Screw M5 x 65mm	8	1
D Reference Letter  Screw 1/4"-20 x 2-3/8"	6	1
E Reference Letter  Washer 13mm x 6.5mm	6	1
F Reference Letter  Lock Washer 10mm x 6.5mm	6	1
G Reference Letter  Wood Dowel	8	1
H Reference Letter  Glue Bottle	1	

1. Glue all dowel holes and insert Dowels (G) into Legs (B) 4 places per Leg. Assemble Legs (B) to Chair (A).



2. Attach Legs (B) to Chair (A) using Screws (D), Lockwashers (F) & Washers (E) 3 places per Leg.

3. Secure Legs (B) to Chair (A) using Screws (C) 4 places per Leg.

