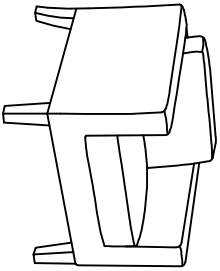
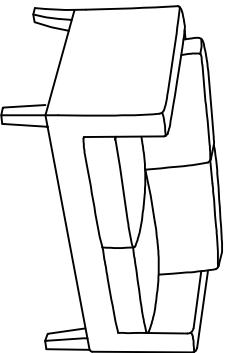


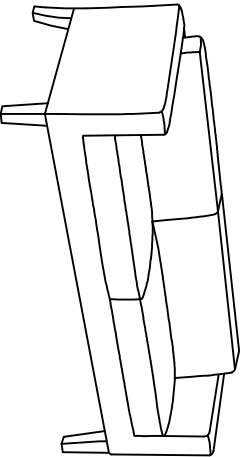
**ASSEMBLY INSTRUCTIONS**  
**PRESTIGE SERIES LOUNGE FURNITURE**  
**MODEL NO. VCCL1, VCCL2 & VCCL3**



VCCL1



VCCL2



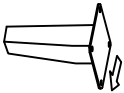
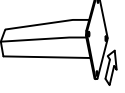
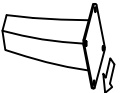
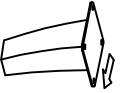
VCCL3

**IMPORTANT!**  
**Review ALL instructions before beginning assembly.** These instructions are provided to avoid problems that may occur from improper assembly or installation. Mayline and/or its distributor are not responsible for failure resulting from improper assembly or installation of this product. Moreover, all warranties are void for failure to follow these assembly instructions.

**PARTS LIST VCCL1, VCCL2 & VCCL3**

When ordering components, specific color and/or size information may be required.  
 Contact a Mayline Customer Service Representative. 1-800-822-8037

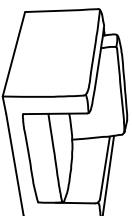
\* Individual Items, Order by part number.  
 \*\* Denotes Color Code


Part Number	Reference Letter	Quantity
VCCL ** Foot Kit *		
<b>A</b>	 FRONT <b>(A)</b>	<b>1</b>
<b>B</b>	 FRONT <b>(B)</b>	<b>1</b>
<b>C</b>	 FRONT <b>(C)</b>	<b>1</b>
<b>D</b>	 FRONT <b>(D)</b>	<b>1</b>

1. Attach Legs (A,B,C & D) to Seat (E) using Screws (F) 4 places per Leg.

Note: Each Leg is labeled as well as the underside of the Seat.

Reference Letter	Quantity
<b>E</b>	<b>1</b>



Part Number	Reference Letter	Quantity	Spare
CM257 * Hardware Pack			
<b>F</b>		<b>16</b>	<b>1</b>
Screw 1/4"-20 x 1-5/8"			

