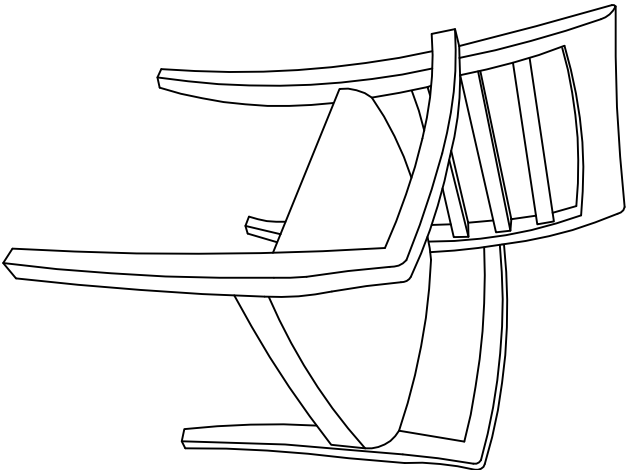


# ASSEMBLY INSTRUCTIONS

## Mercado Wood Guest Chair

### Model No. VSC10A



**IMPORTANT!**  
**Review ALL instructions before beginning assembly.** These instructions are provided to avoid problems that may occur from improper assembly or installation. Mayline and/or its distributor are not responsible for failure resulting from improper assembly or installation of this product. Moreover, all warranties are void for failure to follow these assembly instructions.

**MAYLINE**

© Mayline Company, LLC  
 619 N. Commerce, P.O. Box 728  
 Sheboygan, WI 53082-0728  
 Toll Free: 1-800-822-8037  
 FAX: 920-457-7388  
 On Line: [www.mayline.com](http://www.mayline.com)

Part No. AL-VSC10A Revision 02 10/20/2014

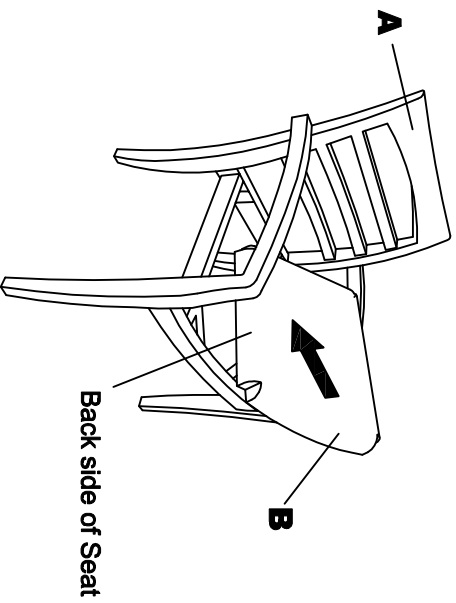
## PARTS LIST VSC10A

When ordering components, specific color and/or size information may be required.  
 Contact a Mayline Customer Service Representative. 1-800-822-8037

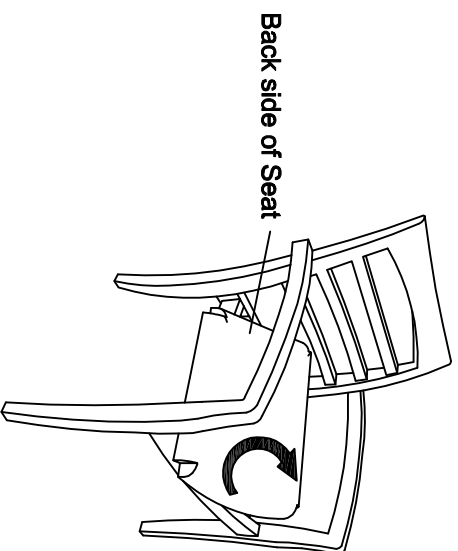
\* Individual Items, Order by part number.  
 \*\* Denotes Color Code.

Reference Letter	<b>A</b> *	Quantity	<b>1</b>
Part Number	101610**	Frame	
Reference Letter	<b>B</b> *	Quantity	<b>1</b>
Part Number	101601**	Seat	
Part Number	101570*	Hardware Bag	
Reference Letter	<b>C</b>	Quantity	<b>7</b>
	Screw M4 X 40mm	Spare	<b>1</b>

**1**

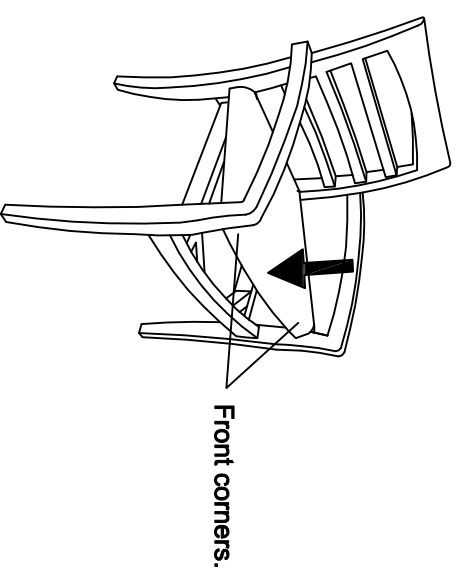


1. Insert Seat (B) into the Frame (A) with the back side of Seat to the side of the Frame as shown.

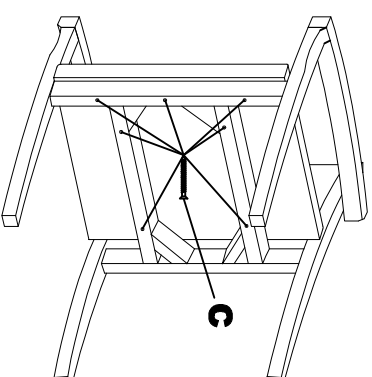


2. Rotate Seat 90° that the back side of the Seat is to the back of the Frame as shown.

**2**



3. Raise one Front corner of Seat while lowering other Front side of seat. Press Seat onto Frame.



4. Attach Seat to Frame by using Screws (C) 7 places. Apply pressure to the top of seat while attaching screws.

**3**