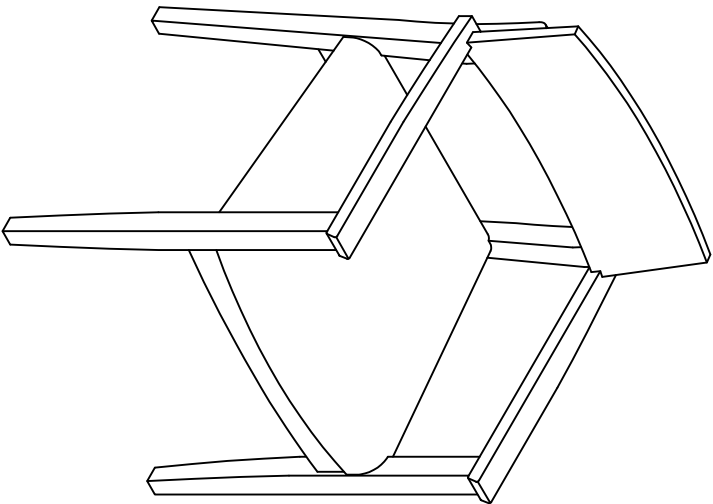


ASSEMBLY INSTRUCTIONS

Mercado Wood Guest Chair

Model No. VSC11A



IMPORTANT!

Review ALL instructions before beginning assembly. These instructions are provided to avoid problems that may occur from improper assembly or installation. Mayline and/or its distributor are not responsible for failure resulting from improper assembly or installation of this product. Moreover, all warranties are void for failure to follow these assembly instructions.

MAYLINE

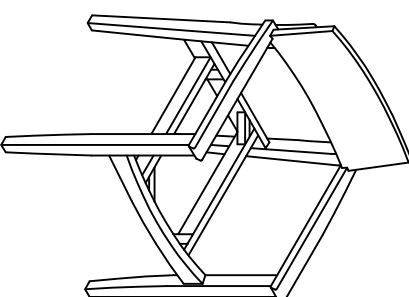
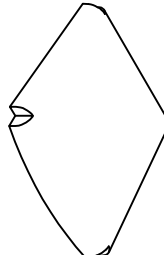

© Mayline Company, LLC
 619 N. Commerce, P.O. Box 728
 Sheboygan, WI 53082-0728
 Toll Free: 1-800-822-8037
 FAX: 920-457-7388
 On Line: www.mayline.com

Part No. AL-VSC11A Revision 01 05/29/2014

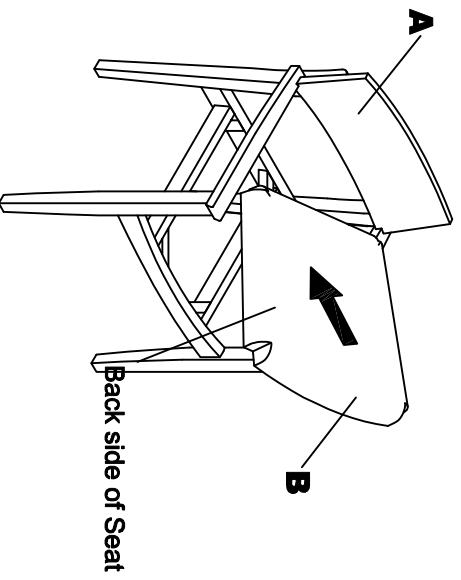
PARTS LIST VSC11A

When ordering components, specific color and/or size information may be required.
 Contact a Mayline Customer Service Representative. 1-800-822-8037

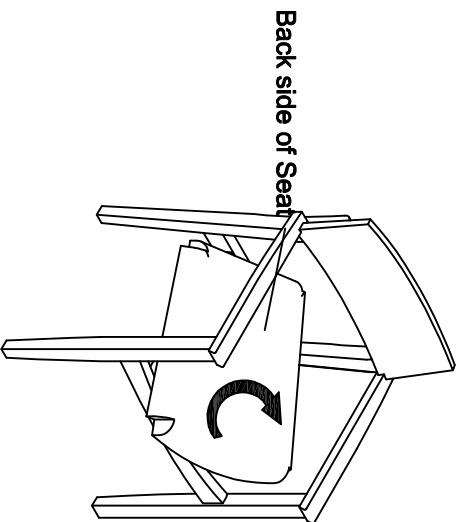
* Individual Items, Order by part number.
 ** Denotes Color Code.

Reference Letter	A *	Quantity	1
Part Number	101602** Frame		
Reference Letter	B *	Quantity	1
Part Number	101603** Seat		
Part Number	101570* Hardware Bag		
Reference Letter	C	Quantity	7
	Screw M4 X 40mm		1

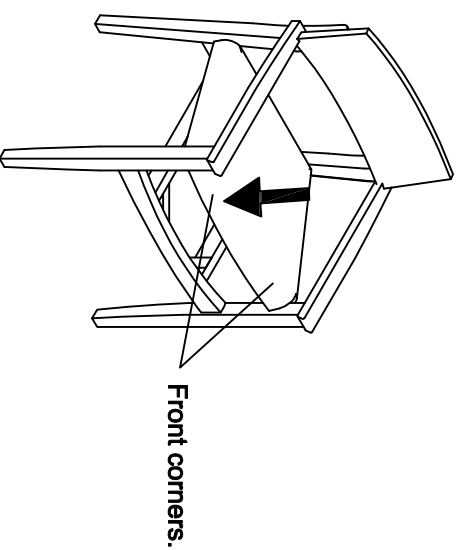
1



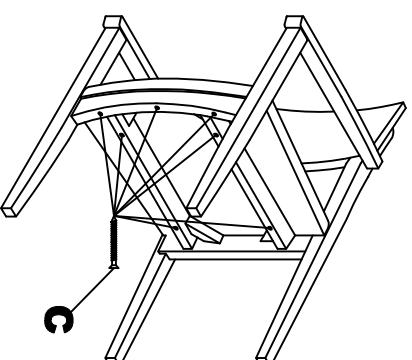
1. Insert Seat (B) into the Frame (A) with the back side of Seat to the side of the Frame as shown.



2. Rotate Seat 90° that the back side of the Seat is to the back of the Frame as shown.



3. Raise one Front corner of Seat while lowering other Front side of seat. Press Seat onto Frame.



4. Attach Seat to Frame by using Screws (C) 7 places. Apply pressure to the top of seat while attaching screws.

2

3