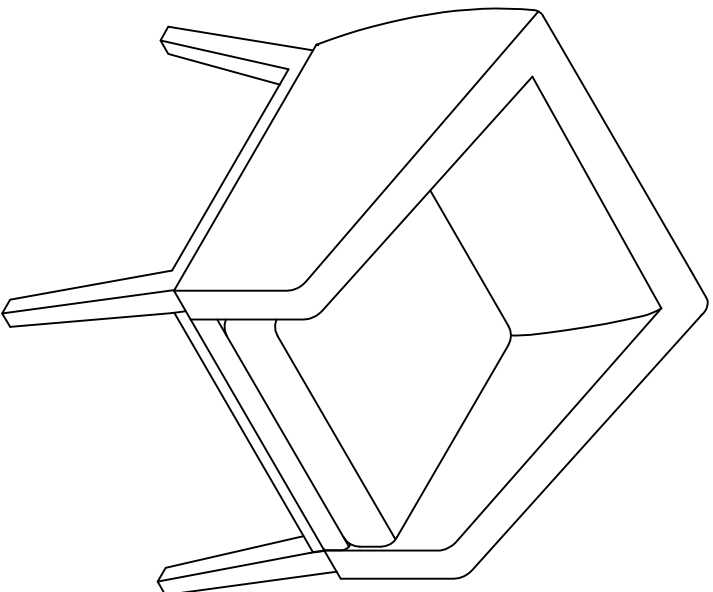


ASSEMBLY INSTRUCTIONS

Mercado Wood Guest Chair

Model No. VSC13



IMPORTANT!

Review ALL instructions before beginning assembly. These instructions are provided to avoid problems that may occur from improper assembly or installation. Mayline and/or its distributor are not responsible for failure resulting from improper assembly or installation of this product. Moreover, all warranties are void for failure to follow these assembly instructions.

MAYLINE

© Mayline Company, LLC
 619 N. Commerce, P.O. Box 728
 Sheboygan, WI 53082-0728
 Toll Free: 1-800-822-8037
 FAX: 920-457-7398
 On Line: www.mayline.com

Part No. AL-VSC13 Revision 01 05/29/2014

PARTS LIST VSC13

When ordering components, specific color and/or size information may be required. Contact a Mayline Customer Service Representative. 1-800-822-8037

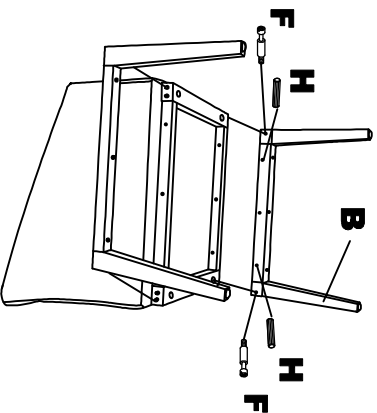
* Individual Items, Order by part number.

** Denotes Color Code.

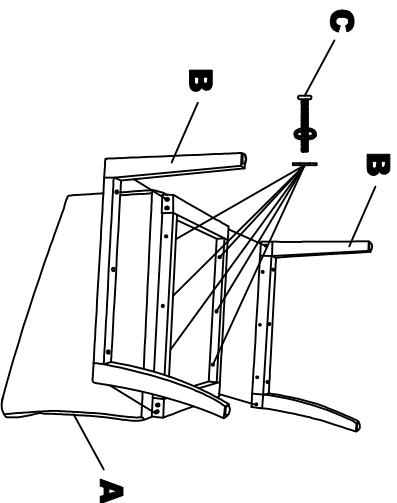
Reference Letter	Quantity
A*	
Part Number 101607** Seat	1
Reference Letter B*	
Part Number 101608** Legs (pair)	2

Part Number	Quantity	Spare
101609* Hardware Bag		
Reference Letter C	6	1
Screw 1/4-20 x 2"		
Reference Letter D	6	1
Screw M4 X 50mm		
Reference Letter E	1	
Allen Wrench		
Reference Letter F	4	1
Cam Post		
Reference Letter G	4	1
Cam Fastener		
Reference Letter H	4	1
Wood Dowel		

1. Attach Cam Posts (F) into Legs (B) 2 Places per leg. Do not overtighten.

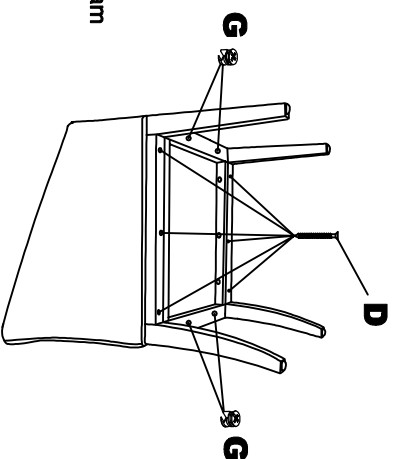
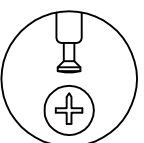


2. Attach Legs (B) to Seat Frame (A) using Screws & Washers (C) 3 Places per leg.



2

Tip #2: Insert cam with arrow pointing toward cam post.



3. Insert Camms (G) into Seat Frame. See tip. Tighten by rotating camms clockwise (between 3/8 - 1/2 turn). Do not force as you may break the cam.

4. Attach Legs to Seat using Screws (D) 3 Places per leg.

3