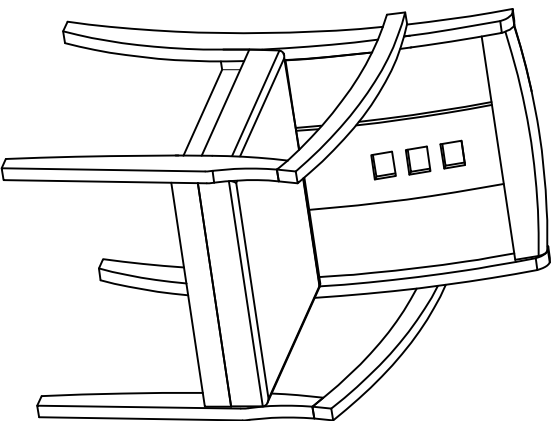


# ASSEMBLY INSTRUCTIONS

## Mercado Wood Guest Chair

### Model No. VSC2A

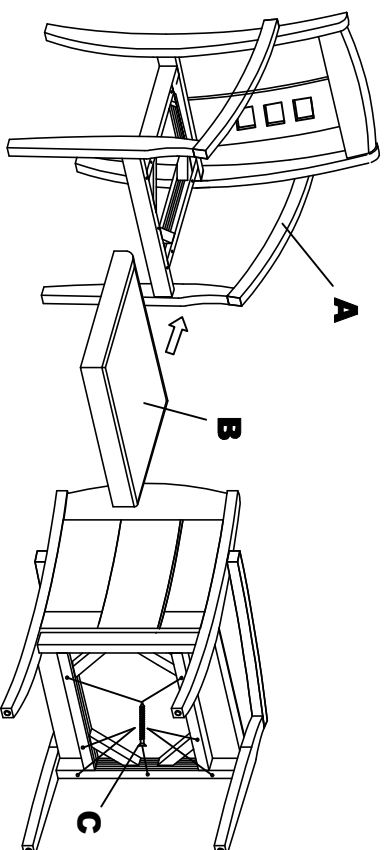


## PARTS LIST VSC2A

When ordering components, specific color and/or size information may be required.  
Contact a Mayline Customer Service Representative: 1-800-822-8037

\* Individual Items, Order by part number.  
\*\* Denotes Color Code.

Reference Letter	Quantity	Part Number	Quantity	Spare
<b>A*</b>	<b>1</b>	<b>101582** Frame</b>	<b>7</b>	<b>1</b>
<b>B*</b>	<b>1</b>	<b>101572** Seat</b>		
		<b>Part Number</b>	<b>Quantity</b>	<b>Spare</b>
		<b>101570* Hardware Bag</b>	<b>7</b>	<b>1</b>
<b>C</b>		<b>Screw M4 x 35mm</b>		



1. Attach Seat (B) to Frame (A) using Screws (C) 7 places. Apply pressure to the top of seat while attaching screws.

**1**

### IMPORTANT!

**Review ALL instructions before beginning assembly.** These instructions are provided to avoid problems that may occur from improper assembly or installation. Mayline and/or its distributor are not responsible for failure resulting from improper assembly or installation of this product. Moreover, all warranties are void for failure to follow these assembly instructions.

P/N VS2CA Revision 02 07/19/2012

**MAYLINE**<sup>®</sup>  
Mayline Company, LLC  
619 N. Commerce, P.O. Box 728  
Sheboygan, WI 53082-0728  
Toll Free: 1-800-822-8037  
FAX: 920-457-7388  
On Line: [www.mayline.com](http://www.mayline.com)