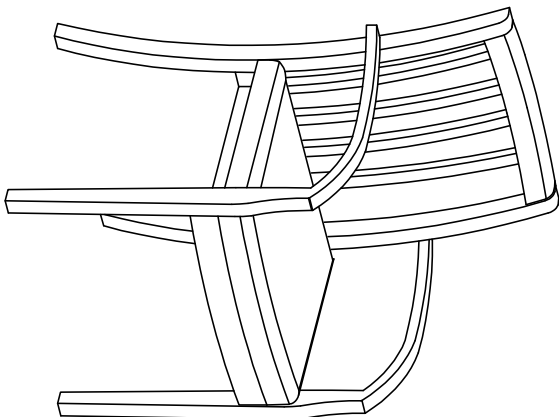


ASSEMBLY INSTRUCTIONS

Mercado Wood Guest Chair

Model No. VSC3A



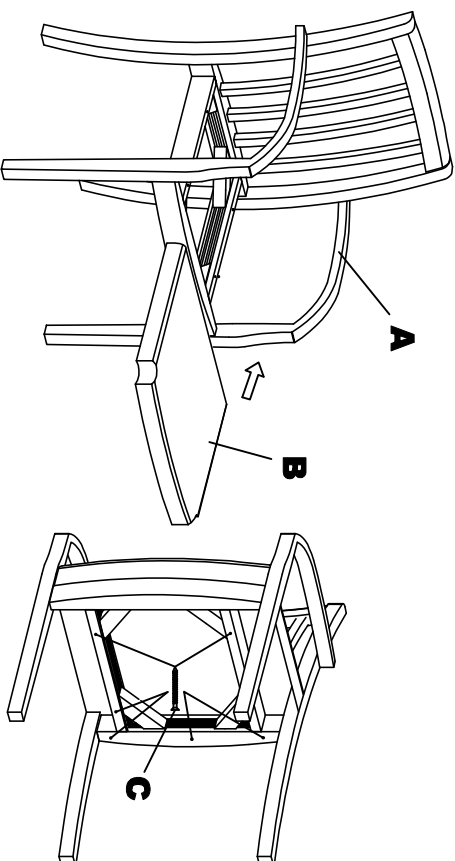
IMPORTANT!
Review ALL instructions before beginning assembly. These instructions are provided to avoid problems that may occur from improper assembly or installation. Mayline and/or its distributor are not responsible for failure resulting from improper assembly or installation of this product. Moreover, all warranties are void for failure to follow these assembly instructions.

PARTS LIST VSC3A

When ordering components, specific color and/or size information may be required. Contact a Mayline Customer Service Representative. 1-800-822-8037

* Individual Items, Order by part number.
 ** Denotes Color Code.

Reference Letter	Quantity	Part Number	Reference Letter	Quantity	Spare
A*	1	101570* Hardware Bag	C	7	1
Part Number 101583** Frame			Reference Letter D		
Reference Letter B*			Screw M4 x 35mm		
Part Number 101573** Seat	1				



1. Attach Seat (B) to Frame (A) using Screws (C) 7 places. Apply pressure to the top of seat while attaching screws.

1