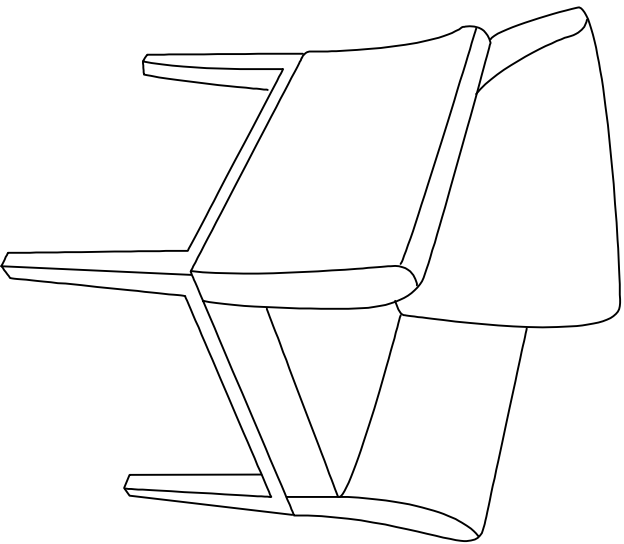


ASSEMBLY INSTRUCTIONS

Mercado Wood & Leather Guest Chair

Model No. VSC9



IMPORTANT!
Review ALL instructions before beginning assembly. These instructions are provided to avoid problems that may occur from improper assembly or installation. Mayline and/or its distributor are not responsible for failure resulting from improper assembly or installation of this product. Moreover, all warranties are void for failure to follow these assembly instructions.

P/N VSC9 Revision 03 07/19/2012



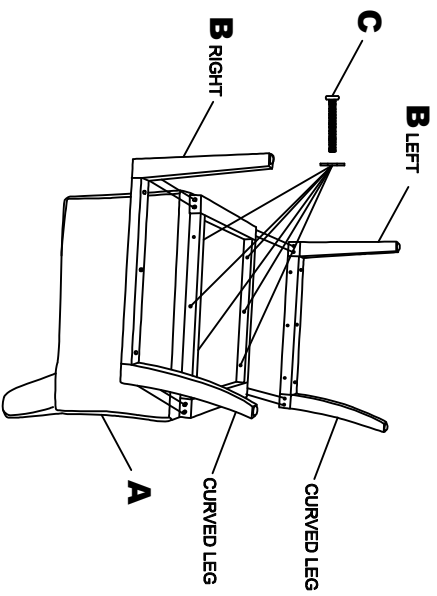
PARTS LIST VSC9

When ordering components, specific color and/or size information may be required. Contact a Mayline Customer Service Representative. 1-800-822-8037

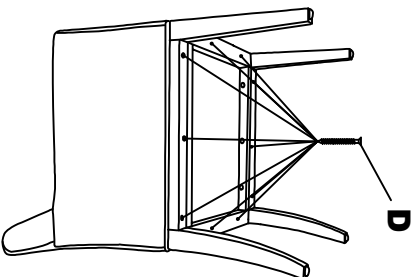
* Individual Items, Order by part number.
 ** Denotes Color Code.

Reference Letter	Quantity	Part Number	Reference Letter	Quantity	Spare
A *	1	101558** Seat	C	6	1
B *	2	101559** Legs (pair)	D	10	1
			E	1	

1



1. Assemble Legs (B Right and Left) to Seat Frame (A) using Screws & Washer (C) 6 Places. Note: Curved Leg to the rear of chair.



1. Attach Leg assembly to Seat using Screws (D) 6 Places.