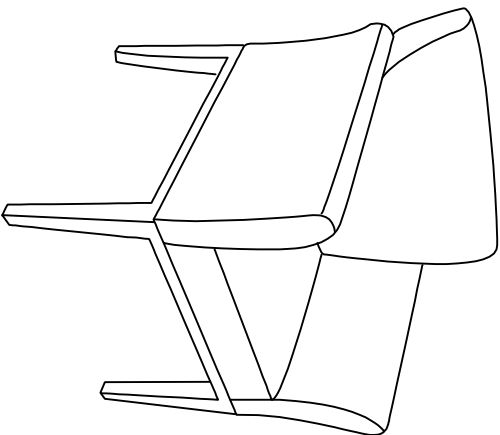


ASSEMBLY INSTRUCTIONS

Mercado Wood & Leather Guest Chair

Model No. VSC9



IMPORTANT!
Review ALL instructions before beginning assembly. These instructions are provided to avoid problems that may occur from improper assembly or installation. Mayline and/or its distributor are not responsible for failure resulting from improper assembly or installation of this product. Moreover, all warranties are void for failure to follow these assembly instructions.

PARTS LIST VSC9

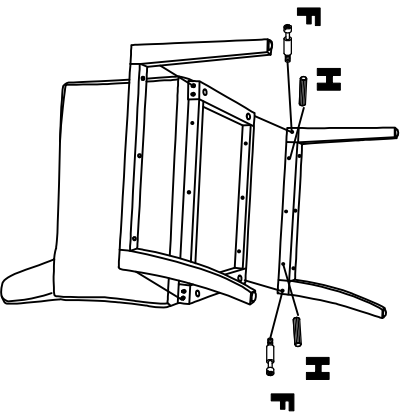
When ordering components, specific color and/or size information may be required. Contact a Mayline Customer Service Representative. 1-800-822-8037

* Individual Items, Order by part number.
 ** Denotes Color Code.

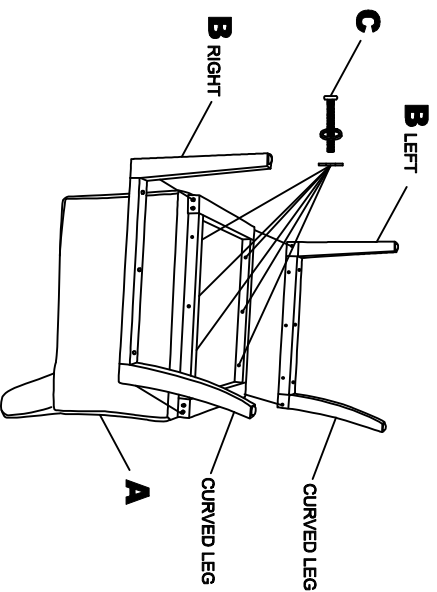
Reference Letter	Quantity
A* Part Number 101558** Seat	1
B* Part Number 101559** Legs (pair)	2

Part Number	Quantity	Spare
101548* Hardware Bag		
C Reference Letter Screw 1/4-20 x 2"	6	1
D Reference Letter Screw M5 x 60mm	6	1
E Reference Letter Allen Wrench	1	
F Cam Post	4	1
G Cam Fastener	4	1

1



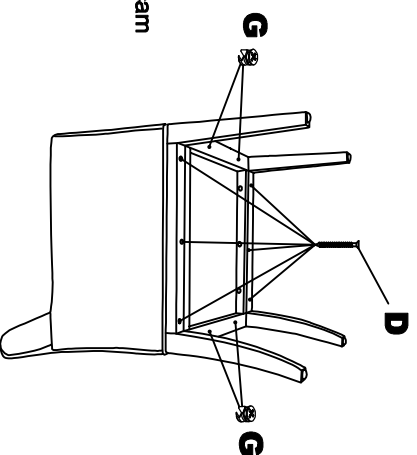
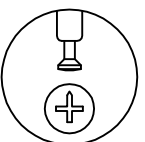
1. Attach Cam Posts (F) into Legs. 2 Places per leg. Do not overtighten.



2. Attach Legs to Seat Frame (A) using Screws & Washers (C) 3 Places per leg. Note: Curved Leg to the rear of chair.

2

Tip #2: Insert cam with arrow pointing toward cam post.



3. Insert Camms (G) into Seat Frame. See tip. Tighten by rotating camms clockwise (between 3/8 - 1/2 turn). Do not force as you may break the cam.

4. Attach Legs to Seat using Screws (D) 3 Places per leg.

3